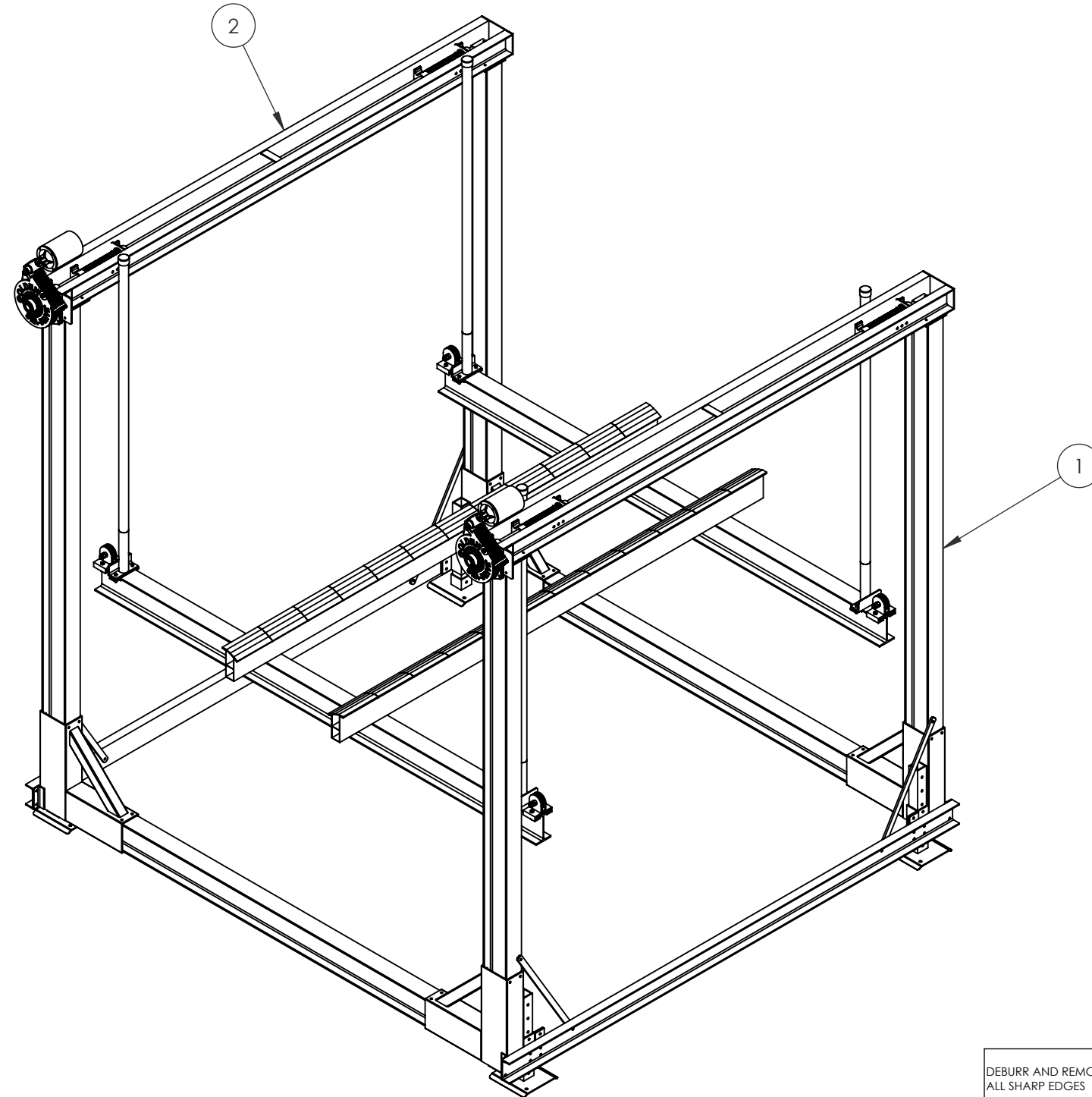


ITEM NO.	QTY.	PART NUMBER	DESCRIPTION	WEIGHT	MATERIAL	SHEET
1	1	10K FS-BASE_ASM	14K FREE STANDING BASE	870.19	SEE BOM	3
2	1	4P-10K-LIFT_ASM	14K LIFT ASSEMBLY	719.53	SEE BOM	-



NOTE: TOP BEAM PILE STRAP MOUNTING HOLES TO BE 8" TOWARDS CENTERLINE

**DRAWING FOR APPROVAL**  
 \*\*CHANGES OR REVISIONS MAY AFFECT FINAL COST\*\*  
 MATERIALS WILL NOT BE ORDERED UNTIL DRAWING IS APPROVED/INITIALED

SALES REP \_\_\_\_\_ DEVIN G. \_\_\_\_\_  
 CUSTOMER \_\_\_\_\_ DATE \_\_\_\_\_

**NOTE:** CHANGE REQUESTS MADE AFTER APPROVAL COULD RESULT IN ADDITIONAL CHARGES  
 BASED ON WHERE IN THE MANUFACTURING PROCESS THIS PROJECT HAS ADVANCED

DEBURR AND REMOVE ALL SHARP EDGES

THIRD ANGLE PROJECTION

UNLESS OTHERWISE SPECIFIED:  
 DIMENSIONS ARE IN INCHES  
 TOLERANCES:  
 FRACTIONAL..... ± 1/16  
 ANGULAR..... ± 1°  
 (2) PLACE DECIMAL..... ± .02  
 (3) PLACE DECIMAL..... ± .005

INTERPRET GEOMETRIC TOLERANCING PER: ANSI Y14.5

17611 EAST STREET  
 N. FORT MYERS, FL 33917  
 239-337-4141  
 SALES@GOLDENMARINESYSTEMS.COM

**GOLDEN Boat Lifts**

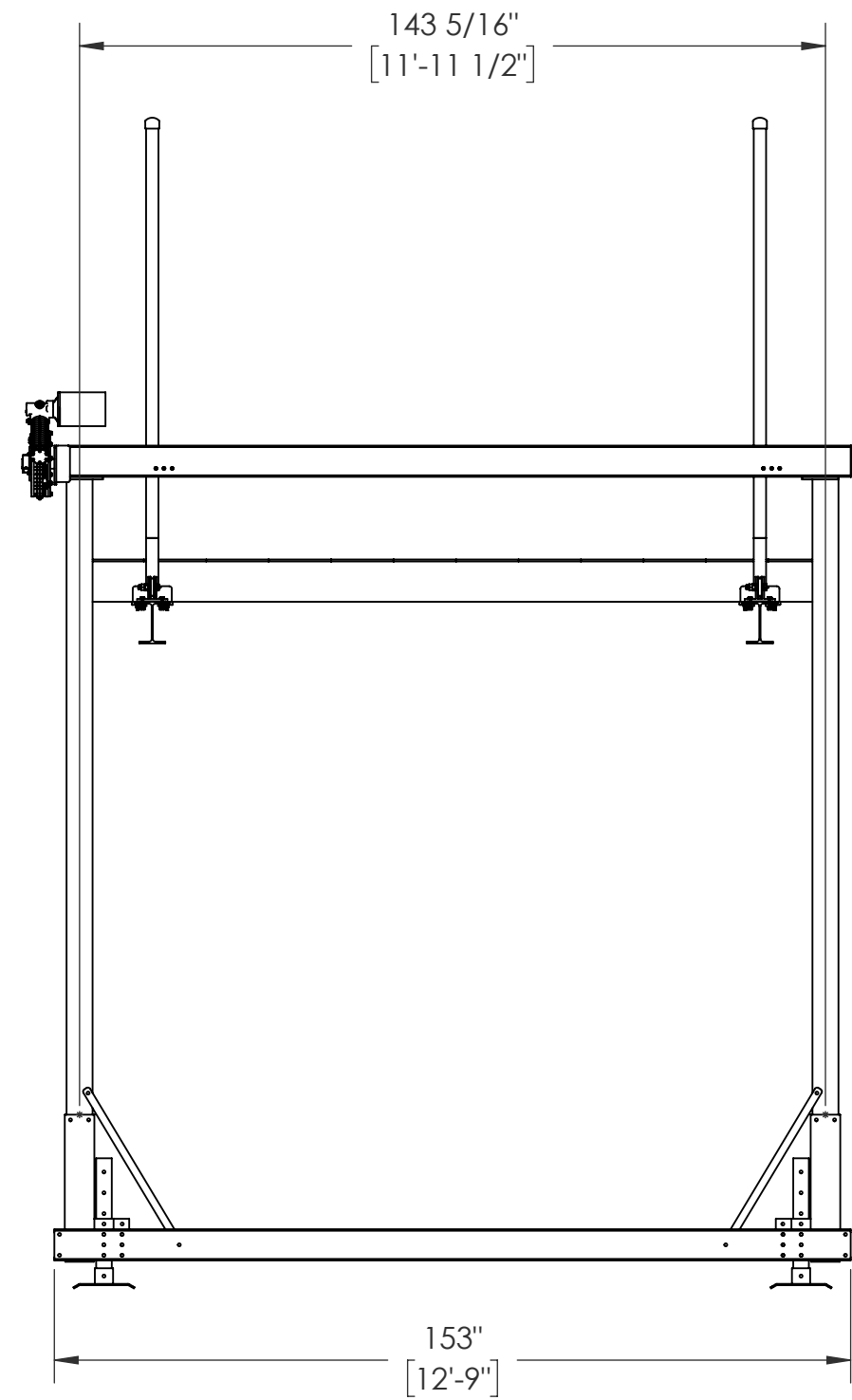
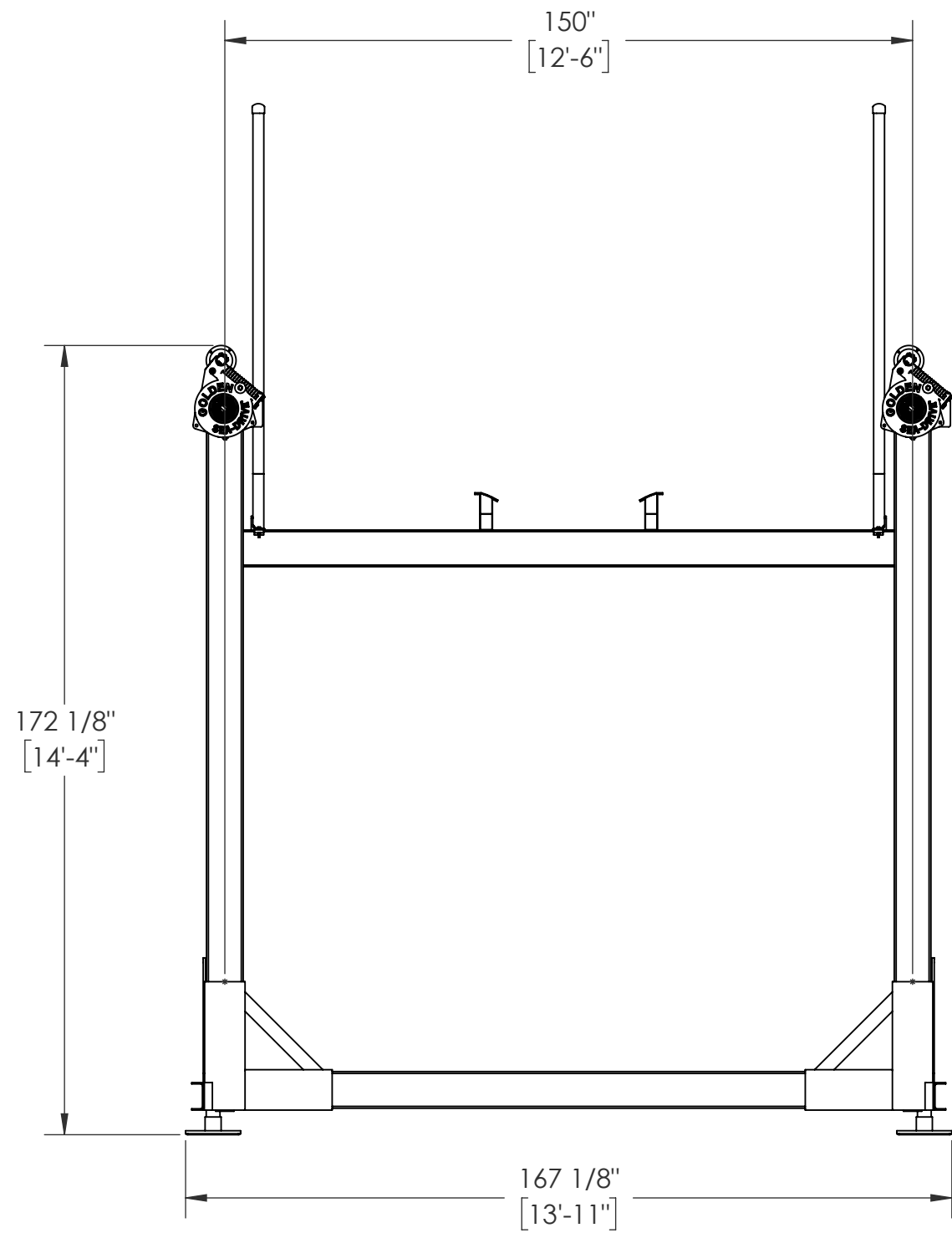
DESCRIPTION	10K FREE STANDING LIFT TLA		
PROJECT	10K FREE STANDING LIFT		
CUSTOMER	GOLDEN MANUFACTURING		
MATERIAL	WEIGHT	REV	DATE
SEE BOM	1589.72 LBS	B	8/20/24
PART NUMBER	SHEET		
10K FREE STANDING LIFT TLA	1 OF 22		

REVISIONS			
REV.	DESCRIPTION	DRAWN BY	DATE
A	INITIAL DRAWING	AF	7.17.24
B	BASE CHANNEL SHOTENED 3/4"	AF	8/20/24

**PROPRIETARY AND CONFIDENTIAL**

THE INFORMATION CONTAINED IN THIS DRAWING IS THE SOLE PROPERTY OF GOLDEN MANUFACTURING INC. DBA GOLDEN BOAT LIFTS. ANY REPRODUCTION IN PART OR AS A WHOLE WITHOUT THE WRITTEN PERMISSION OF GOLDEN MANUFACTURING INC. DBA GOLDEN BOAT LIFTS IS PROHIBITED.

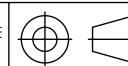
SIZE **A3** SCALE **1:35**



**PROPRIETARY AND CONFIDENTIAL**

THE INFORMATION CONTAINED IN THIS DRAWING IS THE SOLE PROPERTY OF GOLDEN MANUFACTURING INC. DBA GOLDEN BOAT LIFTS. ANY REPRODUCTION IN PART OR AS A WHOLE WITHOUT THE WRITTEN PERMISSION OF GOLDEN MANUFACTURING INC. DBA GOLDEN BOAT LIFTS IS PROHIBITED.

DEBURR AND REMOVE ALL SHARP EDGES



UNLESS OTHERWISE SPECIFIED:

DIMENSIONS ARE IN INCHES  
 TOLERANCES:  
 FRACTIONAL..... ± 1/16  
 ANGULAR..... ± 1°  
 (2) PLACE DECIMAL..... ± .02  
 (3) PLACE DECIMAL..... ± .005

INTERPRET GEOMETRIC TOLERANCING PER: ANSI Y14.5

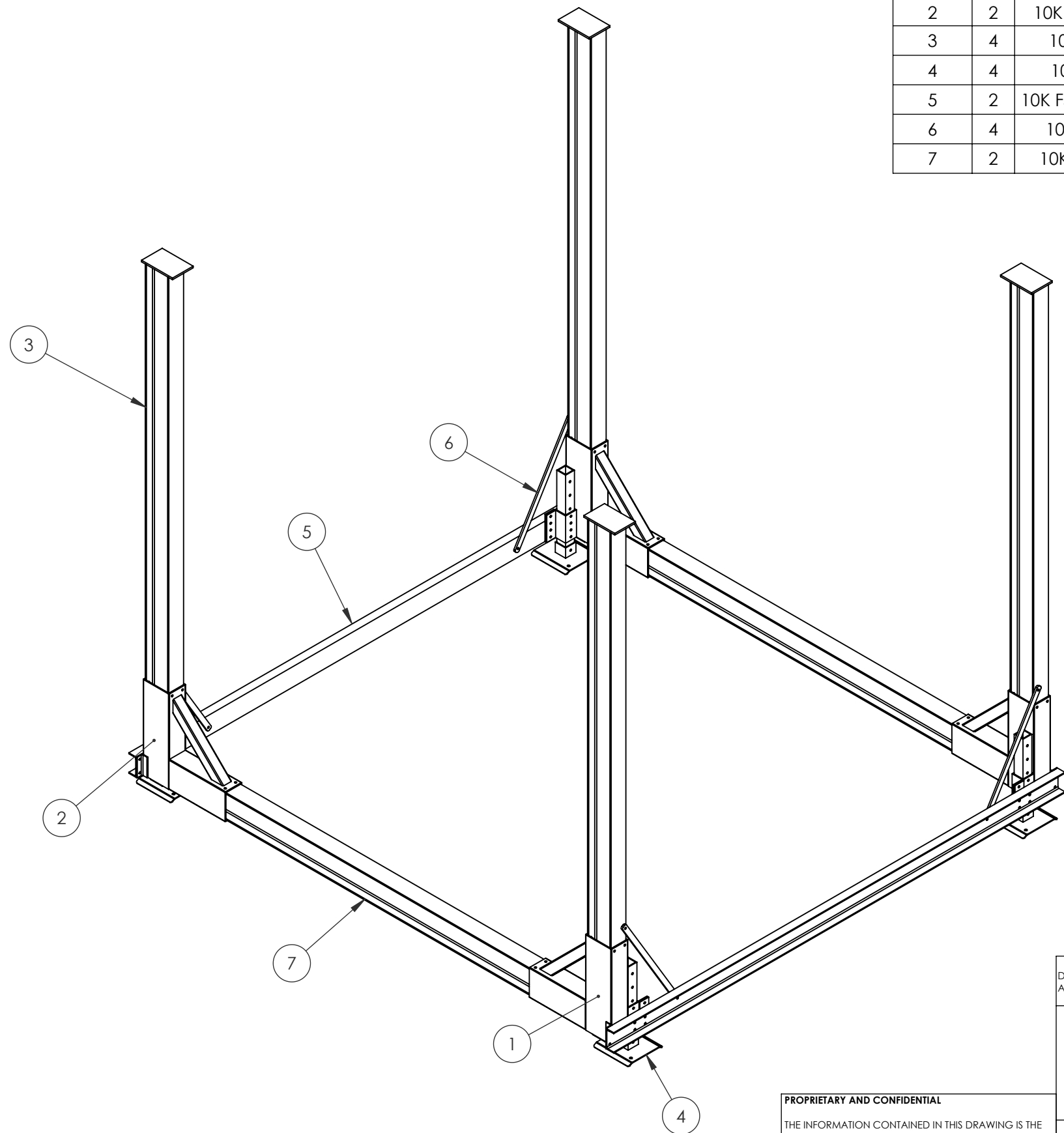
SIZE **A3** SCALE **1:35**



17611 EAST STREET  
 N. FORT MYERS, FL 33917  
 239-337-4141  
 SALES@GOLDENMARINESYSTEMS.COM

DESCRIPTION		10K FREE STANDING LIFT TLA	
PROJECT		10K FREE STANDING LIFT	
CUSTOMER		GOLDEN MANUFACTURING	
MATERIAL	WEIGHT	REV	DATE
SEE BOM	1589.72 LBS	B	8/20/24
PART NUMBER		SHEET	
10K FREE STANDING LIFT TLA		2 OF 22	

ITEM NO.	QTY.	PART NUMBER	DESCRIPTION	CUT LENGTH	WEIGHT	SHEET
1	2	10K FS-CORNER_ASM	CONFIG A	SEE BOM	53.79	4
2	2	10K FS-CORNER_ASM	CONFIG B	SEE BOM	53.79	5
3	4	10K FS-POST_ASM	14K FREE STAND POST	SEE BOM	91.28	13
4	4	10K FS-FP12_ASM	12" X 12" FOOT PAD	SEE BOM	10.71	16
5	2	10K FS-HORIZONTAL_001	AA CHANNEL, 6" X 2 1/2" X 5/16"	153" LG	36.07	20
6	4	10K FS-BRACE_001	PLATE, 1/2" X 1 1/2"	36" LG	2.60	21
7	2	10K FS-LATERAL_001	I-BEAM, 8" X 5" X 7/16"	140 11/16" LG	82.25	22

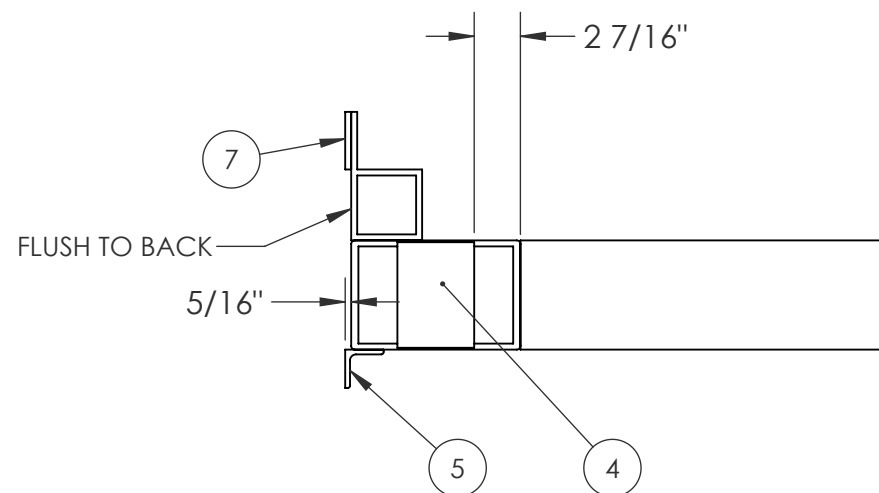
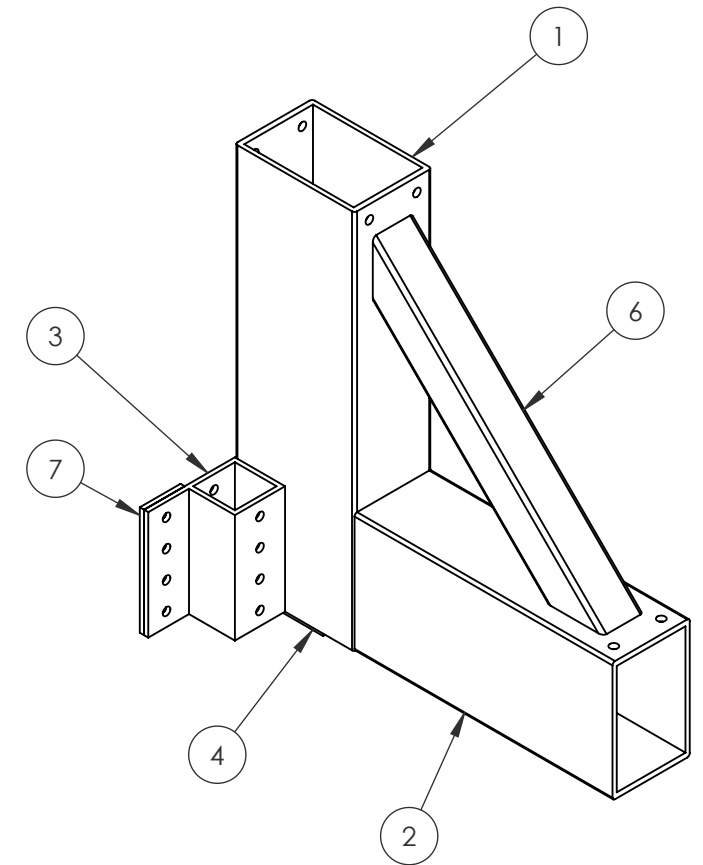
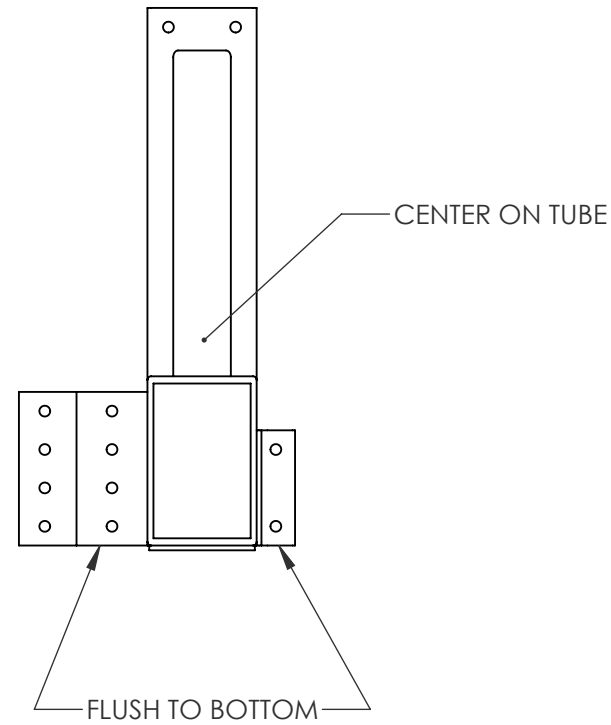
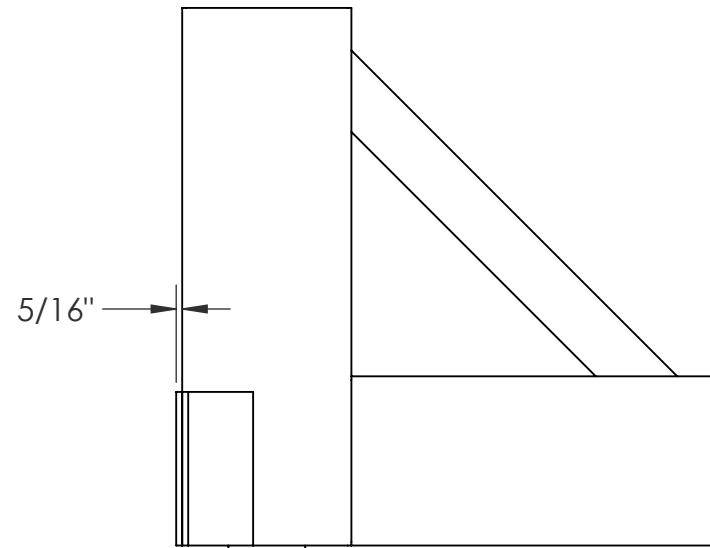


DEBURR AND REMOVE ALL SHARP EDGES		THIRD ANGLE PROJECTION				17611 EAST STREET N. FORT MYERS, FL 33917 239-337-4141 SALES@GOLDENMARINESYSTEMS.COM	
UNLESS OTHERWISE SPECIFIED:				DESCRIPTION 10K FREE STANDING LIFT TLA			
DIMENSIONS ARE IN INCHES				PROJECT 10K FREE STANDING LIFT			
TOLERANCES:				CUSTOMER GOLDEN MANUFACTURING			
FRACTIONAL..... ± 1/16				MATERIAL SEE BOM		WEIGHT 1589.72 LBS	
ANGULAR..... ± 1°				PART NUMBER 10K FREE STANDING LIFT TLA		REV B DATE 8/20/24	
(2) PLACE DECIMAL..... ± .02				SIZE A3		SHEET 3 OF 22	
(3) PLACE DECIMAL..... ± .005				SCALE 1:30			

**PROPRIETARY AND CONFIDENTIAL**

THE INFORMATION CONTAINED IN THIS DRAWING IS THE SOLE PROPERTY OF GOLDEN MANUFACTURING INC. DBA GOLDEN BOAT LIFTS. ANY REPRODUCTION IN PART OR AS A WHOLE WITHOUT THE WRITTEN PERMISSION OF GOLDEN MANUFACTURING INC. DBA GOLDEN BOAT LIFTS IS PROHIBITED.

ITEM NO.	QTY.	PART NUMBER	DESCRIPTION	CUT LENGTH	WEIGHT	MATERIAL	SHEET
1	1	10K FS-CORNER_001	RECT TUBE, 8 13/16" X 5 11/16"	28" LG	25.29	6061-T6	6
2	1	10K FS-CORNER_002	RECT TUBE, 8 13/16" X 5 11/16"	19" LG	17.17	6061-T6	7
3	1	10K FS-CORNER_003	HOLLOW CHANNEL	8" LG	3.94	EMS, 52-61-4951	8
4	1	10K FS-CORNER_004	PLATE, 1/4" X 4"	5 1/2" LG	0.54	6061-T6 (SS)	9
5	1	10K FS-CORNER_005	ANGLE, 2" X 2" X 1/4"	6" LG	0.54	6061-T6	10
6	1	10K FS-CORNER_006	TUBE W/RADIUS, 3" X 3" X 1/4"	24" LG	5.61	6061-T6	11
7	1	10K FS-CORNER_007	HOLLOW CHANNEL	8" LG	0.70	EMS, 52-61-4951	12

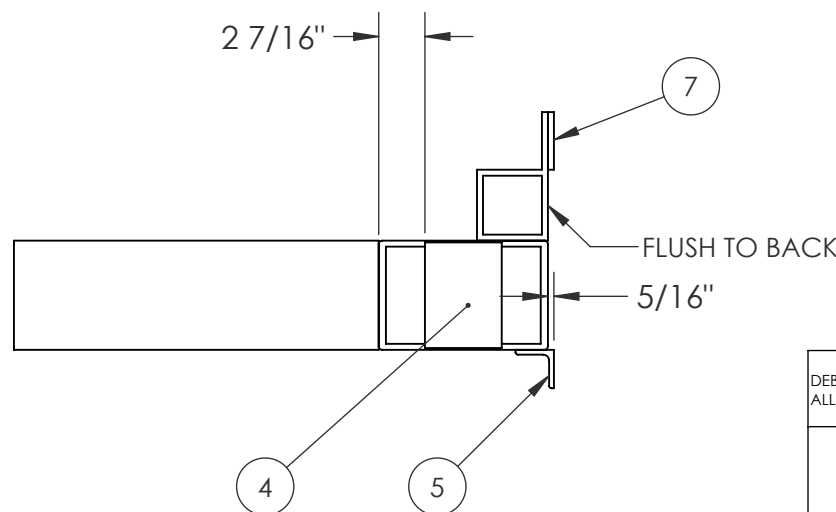
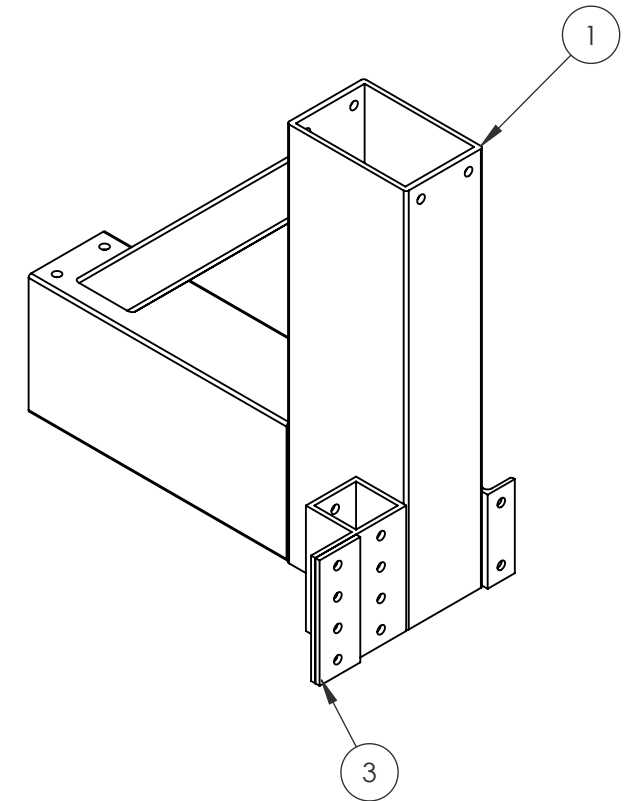
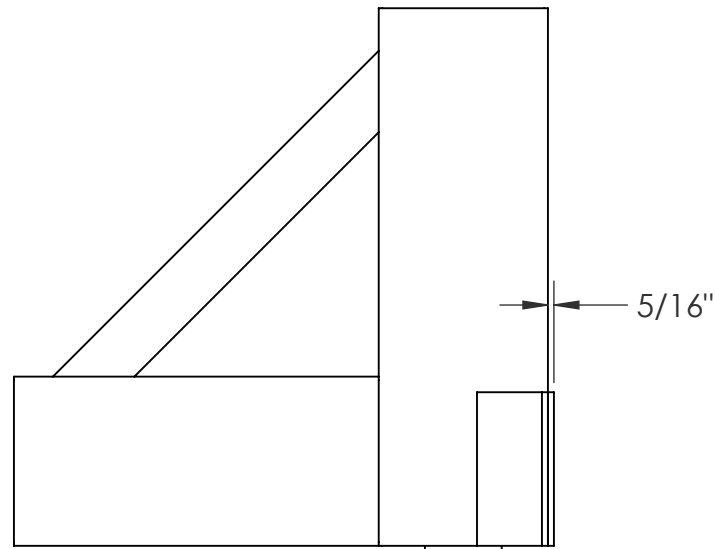
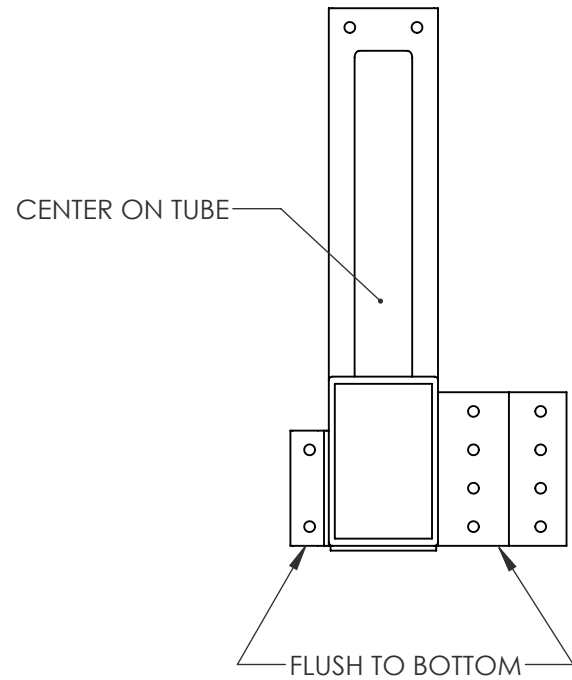


DEBURR AND REMOVE ALL SHARP EDGES		THIRD ANGLE PROJECTION				17611 EAST STREET N. FORT MYERS, FL 33917 239-337-4141 SALES@GOLDENMARINESYSTEMS.COM	
UNLESS OTHERWISE SPECIFIED:				DESCRIPTION 10K FREE STANDING LIFT TLA			
DIMENSIONS ARE IN INCHES				PROJECT 10K FREE STANDING LIFT			
TOLERANCES:				CUSTOMER GOLDEN MANUFACTURING			
FRACTIONAL..... ± 1/16				MATERIAL SEE BOM			
ANGULAR..... ± 1°				WEIGHT 1589.72 LBS			
(2) PLACE DECIMAL..... ± .02				REV B			
(3) PLACE DECIMAL..... ± .005				DATE 8/20/24			
INTERPRET GEOMETRIC TOLERANCING PER: ANSI Y14.5				PART NUMBER 10K FREE STANDING LIFT TLA			
SIZE A3		SCALE 1:10		SHEET 4 OF 22			

**PROPRIETARY AND CONFIDENTIAL**

THE INFORMATION CONTAINED IN THIS DRAWING IS THE SOLE PROPERTY OF GOLDEN MANUFACTURING INC. DBA GOLDEN BOAT LIFTS. ANY REPRODUCTION IN PART OR AS A WHOLE WITHOUT THE WRITTEN PERMISSION OF GOLDEN MANUFACTURING INC. DBA GOLDEN BOAT LIFTS IS PROHIBITED.

ITEM NO.	QTY.	PART NUMBER	DESCRIPTION	CUT LENGTH	WEIGHT	MATERIAL	SHEET
1	1	10K FS-CORNER_001	RECT TUBE, 8 13/16" X 5 11/16"	28" LG	25.29	6061-T6	6
2	1	10K FS-CORNER_002	RECT TUBE, 8 13/16" X 5 11/16"	19" LG	17.17	6061-T6	7
3	1	10K FS-CORNER_003	HOLLOW CHANNEL	8" LG	3.94	EMS, 52-61-4951	8
4	1	10K FS-CORNER_004	PLATE, 1/4" X 4"	5 1/2" LG	0.54	6061-T6 (SS)	9
5	1	10K FS-CORNER_005	ANGLE, 2" X 2" X 1/4"	6" LG	0.54	6061-T6	10
6	1	10K FS-CORNER_006	TUBE W/RADIUS, 3" X 3" X 1/4"	24" LG	5.61	6061-T6	11
7	1	10K FS-CORNER_007	HOLLOW CHANNEL	8" LG	0.70	EMS, 52-61-4951	12



**PROPRIETARY AND CONFIDENTIAL**  
 THE INFORMATION CONTAINED IN THIS DRAWING IS THE SOLE PROPERTY OF GOLDEN MANUFACTURING INC. DBA GOLDEN BOAT LIFTS. ANY REPRODUCTION IN PART OR AS A WHOLE WITHOUT THE WRITTEN PERMISSION OF GOLDEN MANUFACTURING INC. DBA GOLDEN BOAT LIFTS IS PROHIBITED.

DEBURR AND REMOVE ALL SHARP EDGES

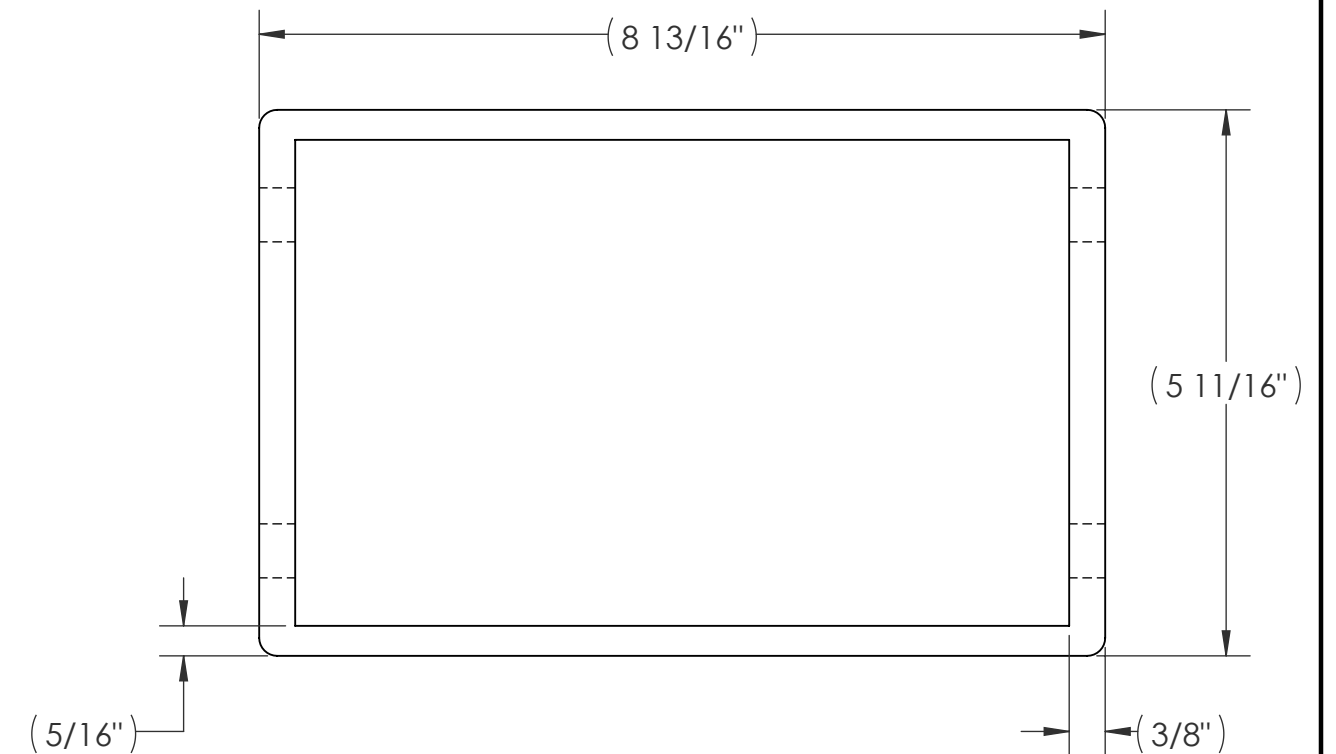
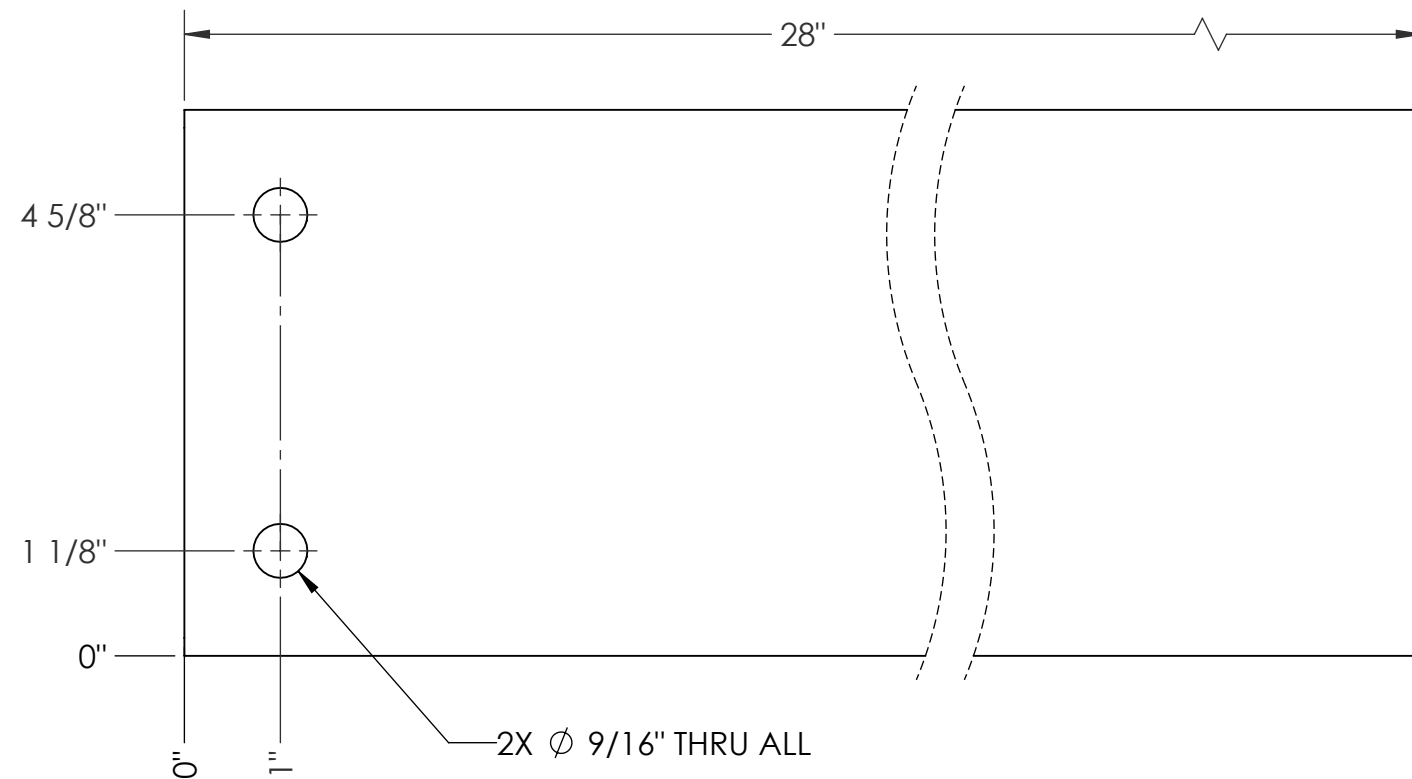
THIRD ANGLE PROJECTION

UNLESS OTHERWISE SPECIFIED:  
 DIMENSIONS ARE IN INCHES  
 TOLERANCES:  
 FRACTIONAL..... ± 1/16  
 ANGULAR..... ± 1°  
 (2) PLACE DECIMAL..... ± .02  
 (3) PLACE DECIMAL..... ± .005

INTERPRET GEOMETRIC TOLERANCING PER: ANSI Y14.5

SIZE **A3** SCALE **1:10**

		17611 EAST STREET N. FORT MYERS, FL 33917 239-337-4141 SALES@GOLDENMARINESYSTEMS.COM	
DESCRIPTION <b>10K FREE STANDING LIFT TLA</b>			
PROJECT <b>10K FREE STANDING LIFT</b>			
CUSTOMER <b>GOLDEN MANUFACTURING</b>			
MATERIAL <b>SEE BOM</b>	WEIGHT <b>1589.72 LBS</b>	REV <b>B</b>	DATE <b>8/20/24</b>
PART NUMBER <b>10K FREE STANDING LIFT TLA</b>			SHEET <b>5 OF 22</b>

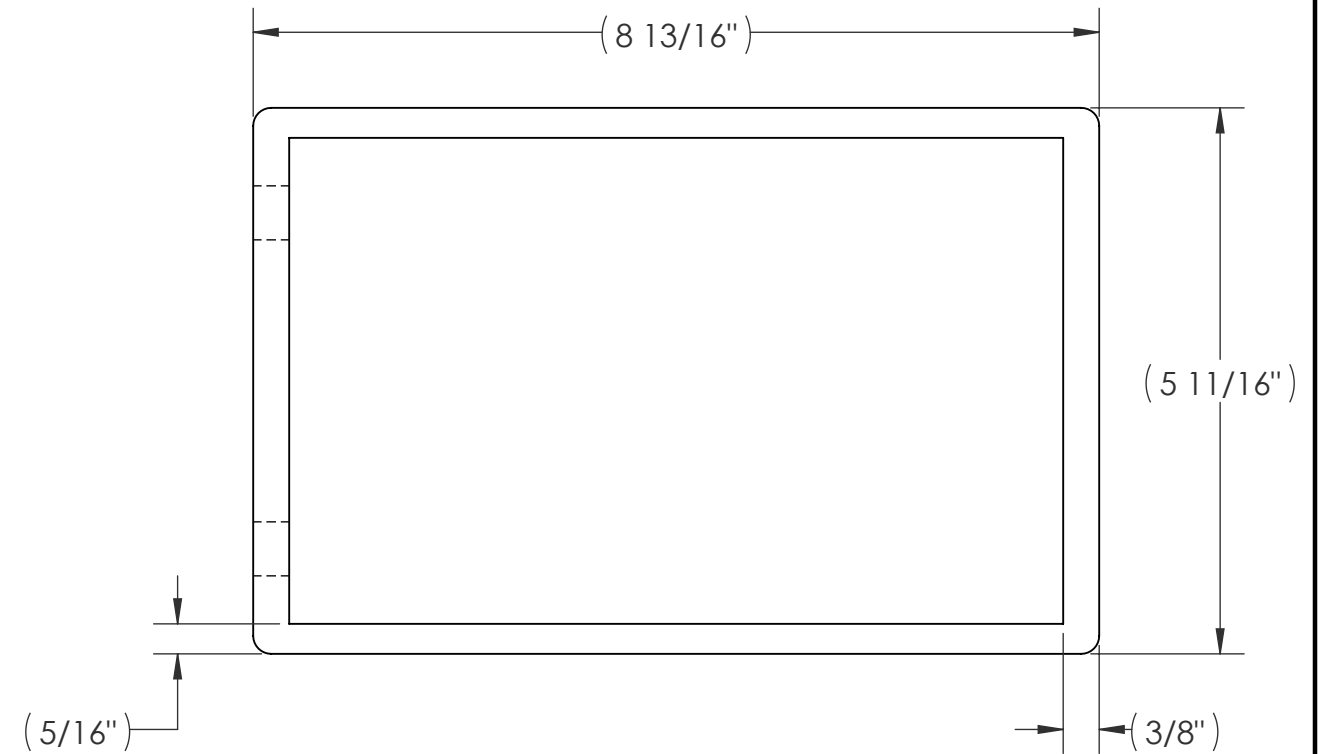
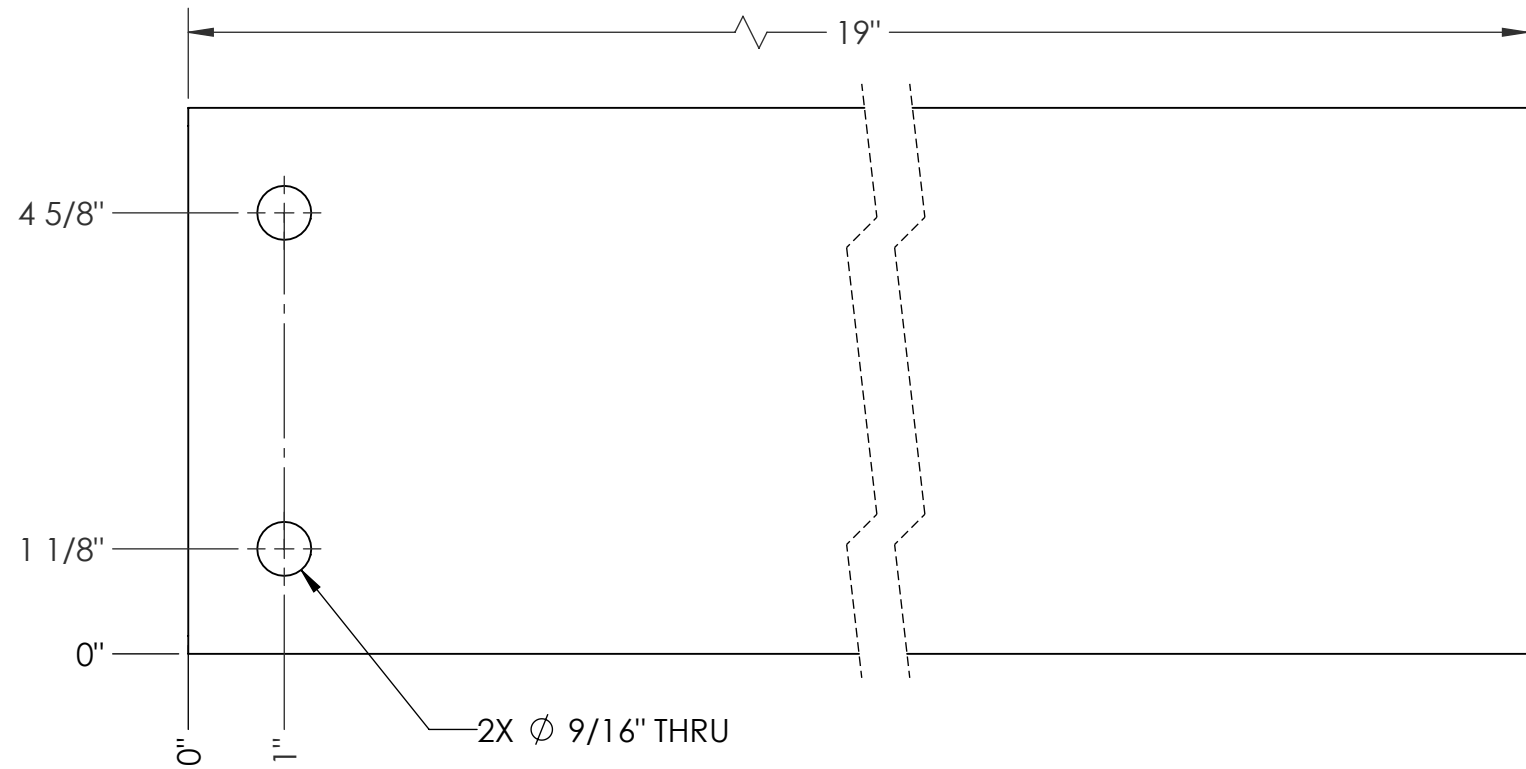


DEBURR AND REMOVE ALL SHARP EDGES		THIRD ANGLE PROJECTION				17611 EAST STREET N. FORT MYERS, FL 33917 239-337-4141 SALES@GOLDENMARINESYSTEMS.COM	
UNLESS OTHERWISE SPECIFIED: DIMENSIONS ARE IN INCHES TOLERANCES: FRACTIONAL..... $\pm$ 1/16 ANGULAR..... $\pm$ 1° (2) PLACE DECIMAL..... $\pm$ .02 (3) PLACE DECIMAL..... $\pm$ .005				DESCRIPTION 10K FREE STANDING LIFT TLA			
PROJECT 10K FREE STANDING LIFT				PROJECT 10K FREE STANDING LIFT			
CUSTOMER GOLDEN MANUFACTURING				CUSTOMER GOLDEN MANUFACTURING			
MATERIAL SEE BOM		WEIGHT 1589.72 LBS		REV B	DATE 8/20/24		
PART NUMBER 10K FREE STANDING LIFT TLA				SHEET 6 OF 22			

**PROPRIETARY AND CONFIDENTIAL**

THE INFORMATION CONTAINED IN THIS DRAWING IS THE SOLE PROPERTY OF GOLDEN MANUFACTURING INC. DBA GOLDEN BOAT LIFTS. ANY REPRODUCTION IN PART OR AS A WHOLE WITHOUT THE WRITTEN PERMISSION OF GOLDEN MANUFACTURING INC. DBA GOLDEN BOAT LIFTS IS PROHIBITED.

SIZE A3 SCALE 1:2



**PROPRIETARY AND CONFIDENTIAL**

THE INFORMATION CONTAINED IN THIS DRAWING IS THE SOLE PROPERTY OF GOLDEN MANUFACTURING INC. DBA GOLDEN BOAT LIFTS. ANY REPRODUCTION IN PART OR AS A WHOLE WITHOUT THE WRITTEN PERMISSION OF GOLDEN MANUFACTURING INC. DBA GOLDEN BOAT LIFTS IS PROHIBITED.

DEBURR AND REMOVE ALL SHARP EDGES

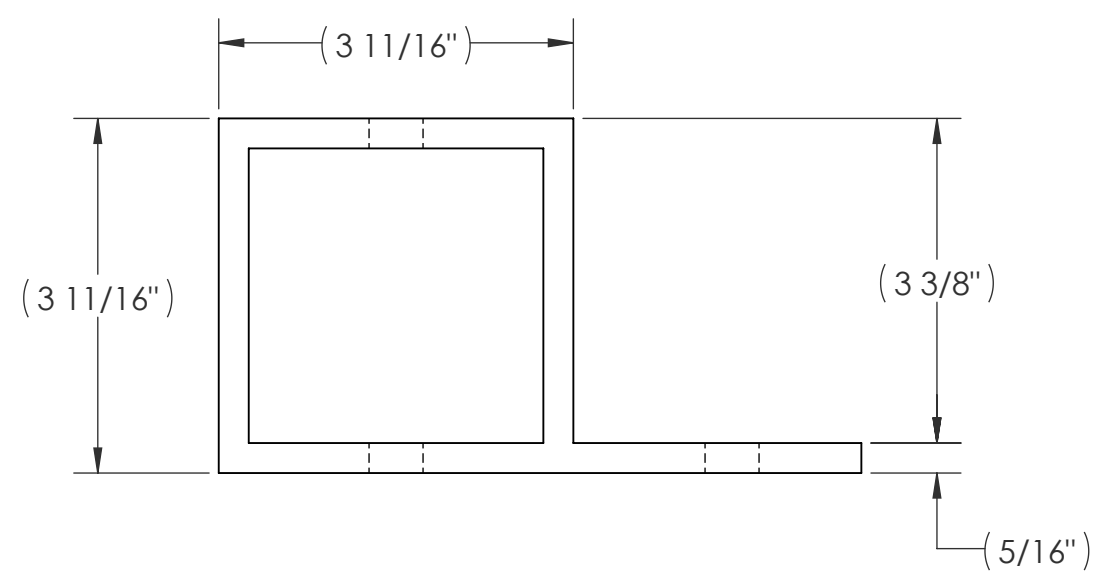
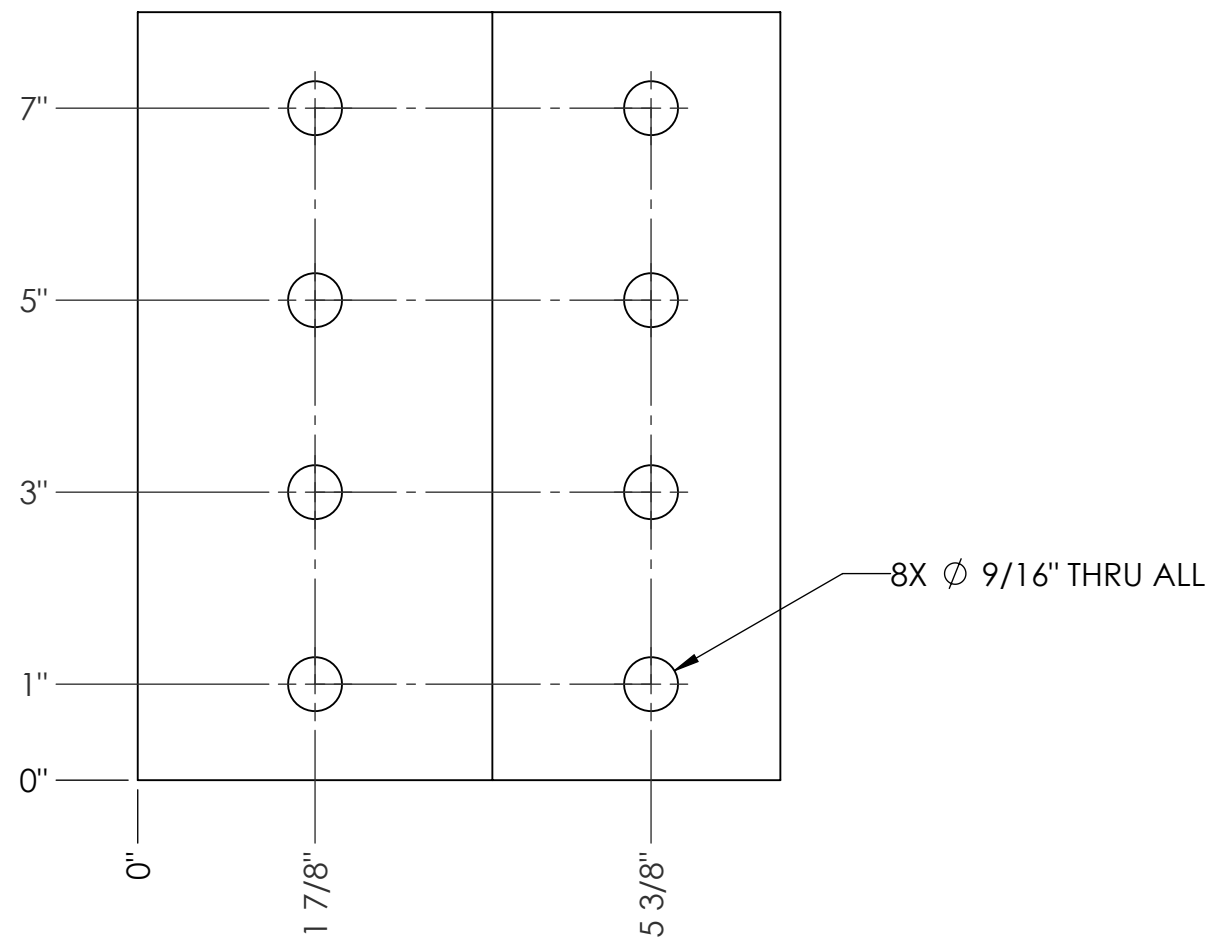
THIRD ANGLE PROJECTION

UNLESS OTHERWISE SPECIFIED:  
 DIMENSIONS ARE IN INCHES  
 TOLERANCES:  
 FRACTIONAL.....  $\pm$  1/16  
 ANGULAR.....  $\pm$  1°  
 (2) PLACE DECIMAL.....  $\pm$  .02  
 (3) PLACE DECIMAL.....  $\pm$  .005

INTERPRET GEOMETRIC TOLERANCING PER: ANSI Y14.5

SIZE A3 SCALE 1:2

		17611 EAST STREET N. FORT MYERS, FL 33917 239-337-4141 SALES@GOLDENMARINESYSTEMS.COM	
DESCRIPTION		10K FREE STANDING LIFT TLA	
PROJECT		10K FREE STANDING LIFT	
CUSTOMER		GOLDEN MANUFACTURING	
MATERIAL	WEIGHT	REV	DATE
SEE BOM	1589.72 LBS	B	8/20/24
PART NUMBER		SHEET	
10K FREE STANDING LIFT TLA		7 OF 22	



**PROPRIETARY AND CONFIDENTIAL**  
 THE INFORMATION CONTAINED IN THIS DRAWING IS THE SOLE PROPERTY OF GOLDEN MANUFACTURING INC. DBA GOLDEN BOAT LIFTS. ANY REPRODUCTION IN PART OR AS A WHOLE WITHOUT THE WRITTEN PERMISSION OF GOLDEN MANUFACTURING INC. DBA GOLDEN BOAT LIFTS IS PROHIBITED.

DEBURR AND REMOVE ALL SHARP EDGES

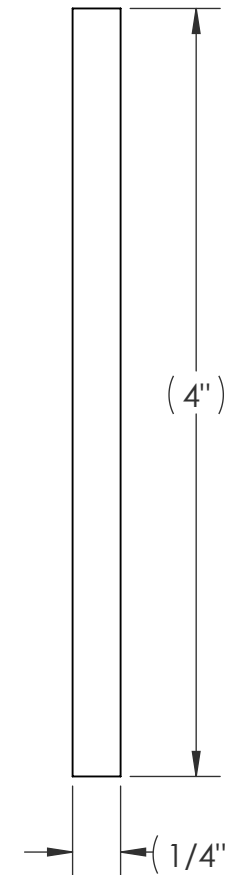
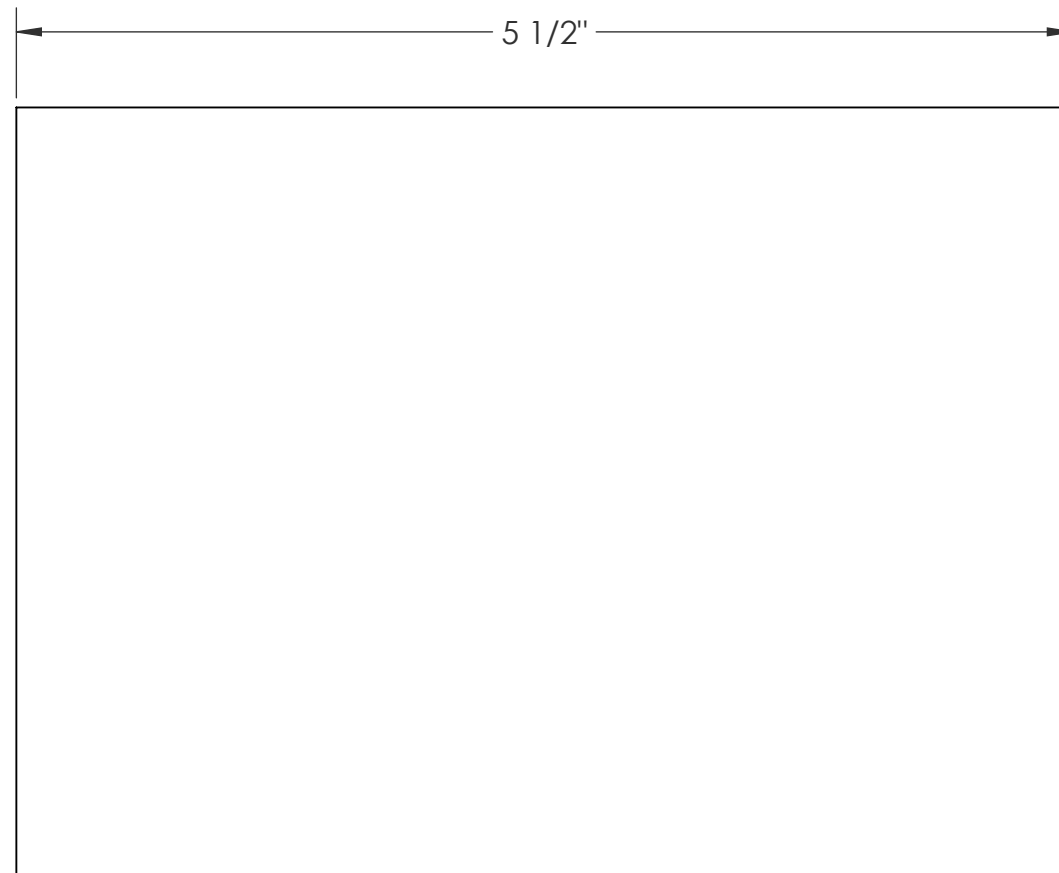
THIRD ANGLE PROJECTION

UNLESS OTHERWISE SPECIFIED:  
 DIMENSIONS ARE IN INCHES  
 TOLERANCES:  
 FRACTIONAL..... ± 1/16  
 ANGULAR..... ± 1°  
 (2) PLACE DECIMAL..... ± .02  
 (3) PLACE DECIMAL..... ± .005

INTERPRET GEOMETRIC TOLERANCING PER: ANSI Y14.5


SIZE **A3** SCALE **1:2**

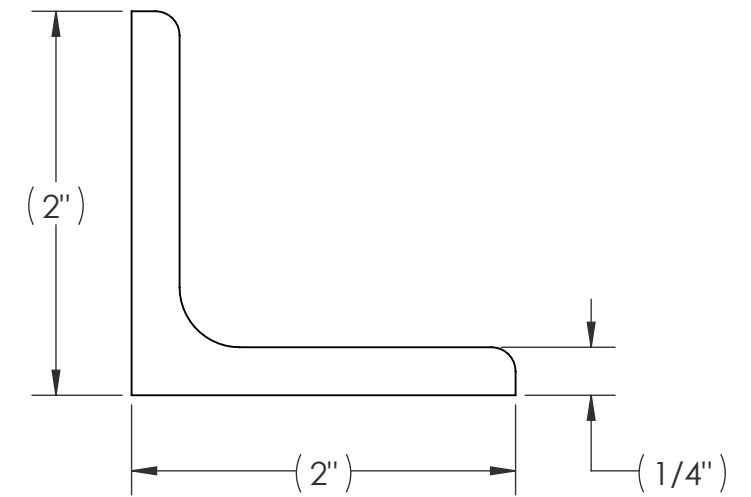
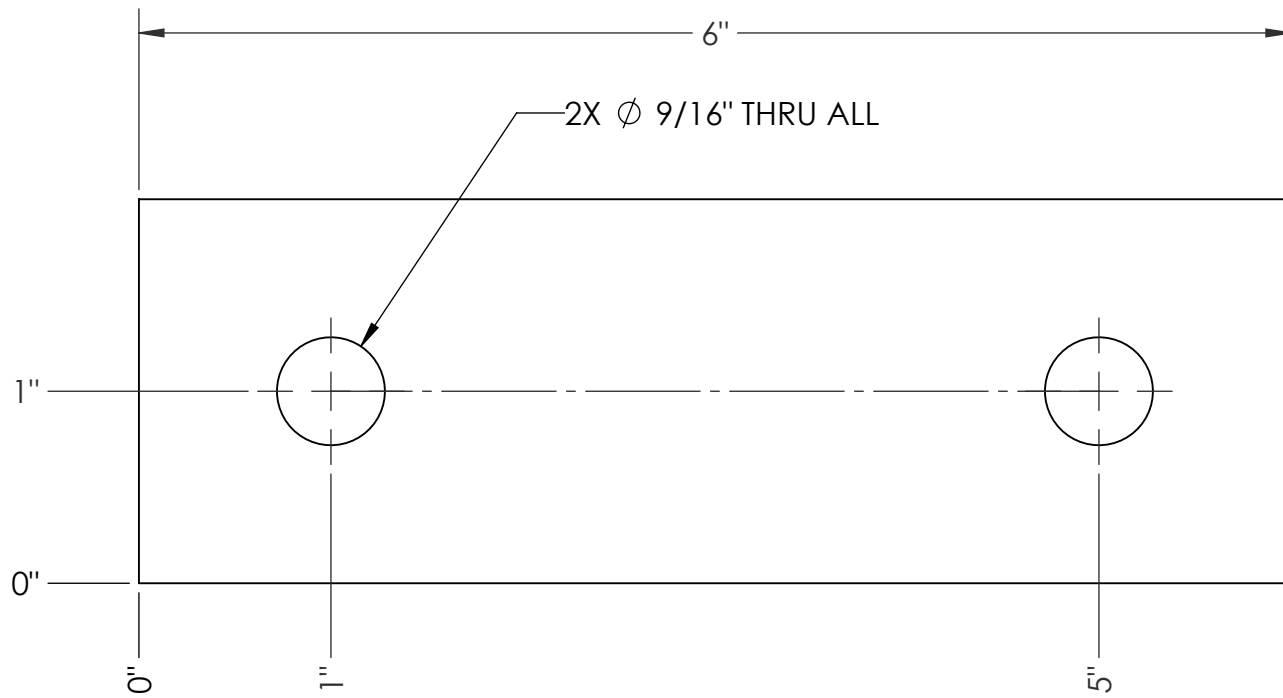
		17611 EAST STREET N. FORT MYERS, FL 33917 239-337-4141 SALES@GOLDENMARINESYSTEMS.COM	
DESCRIPTION		10K FREE STANDING LIFT TLA	
PROJECT		10K FREE STANDING LIFT	
CUSTOMER		GOLDEN MANUFACTURING	
MATERIAL	WEIGHT	REV	DATE
SEE BOM	1589.72 LBS	B	8/20/24
PART NUMBER		SHEET	
10K FREE STANDING LIFT TLA		8 OF 22	



**PROPRIETARY AND CONFIDENTIAL**

THE INFORMATION CONTAINED IN THIS DRAWING IS THE SOLE PROPERTY OF GOLDEN MANUFACTURING INC. DBA GOLDEN BOAT LIFTS. ANY REPRODUCTION IN PART OR AS A WHOLE WITHOUT THE WRITTEN PERMISSION OF GOLDEN MANUFACTURING INC. DBA GOLDEN BOAT LIFTS IS PROHIBITED.

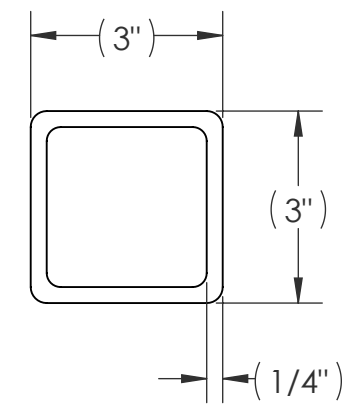
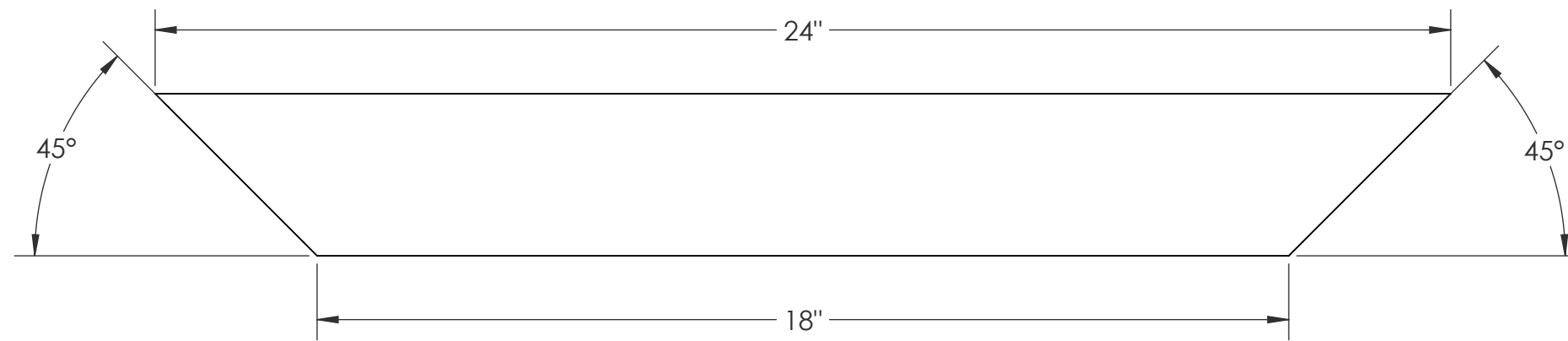
DEBURR AND REMOVE ALL SHARP EDGES		THIRD ANGLE PROJECTION				17611 EAST STREET N. FORT MYERS, FL 33917 239-337-4141 SALES@GOLDENMARINESYSTEMS.COM	
UNLESS OTHERWISE SPECIFIED:				DESCRIPTION			
DIMENSIONS ARE IN INCHES				10K FREE STANDING LIFT			
TOLERANCES:				TLA			
FRACTIONAL..... ± 1/16				PROJECT			
ANGULAR..... ± 1°				10K FREE STANDING LIFT			
(2) PLACE DECIMAL..... ± .02				CUSTOMER			
(3) PLACE DECIMAL..... ± .005				GOLDEN MANUFACTURING			
INTERPRET GEOMETRIC TOLERANCING PER: ANSI Y14.5		MATERIAL		WEIGHT		REV	DATE
SIZE		SCALE		SEE BOM		B	8/20/24
A3		1:1		10K FREE STANDING LIFT TLA		SHEET	
						1589.72 LBS	
						9 OF 22	



**PROPRIETARY AND CONFIDENTIAL**

THE INFORMATION CONTAINED IN THIS DRAWING IS THE SOLE PROPERTY OF GOLDEN MANUFACTURING INC. DBA GOLDEN BOAT LIFTS. ANY REPRODUCTION IN PART OR AS A WHOLE WITHOUT THE WRITTEN PERMISSION OF GOLDEN MANUFACTURING INC. DBA GOLDEN BOAT LIFTS IS PROHIBITED.

DEBURR AND REMOVE ALL SHARP EDGES		THIRD ANGLE PROJECTION				17611 EAST STREET N. FORT MYERS, FL 33917 239-337-4141 SALES@GOLDENMARINESYSTEMS.COM	
UNLESS OTHERWISE SPECIFIED: DIMENSIONS ARE IN INCHES TOLERANCES: FRACTIONAL..... ± 1/16 ANGULAR..... ± 1° (2) PLACE DECIMAL..... ± .02 (3) PLACE DECIMAL..... ± .005				DESCRIPTION 10K FREE STANDING LIFT TLA			
INTERPRET GEOMETRIC TOLERANCING PER: ANSI Y14.5				PROJECT 10K FREE STANDING LIFT			
SIZE A3				SCALE 1:1		CUSTOMER GOLDEN MANUFACTURING	
MATERIAL SEE BOM		WEIGHT 1589.72 LBS		REV B	DATE 8/20/24		
PART NUMBER 10K FREE STANDING LIFT TLA						SHEET 10 OF 22	

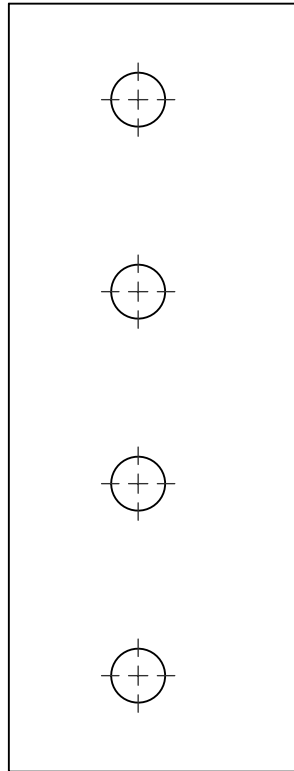


DEBURR AND REMOVE ALL SHARP EDGES		THIRD ANGLE PROJECTION				17611 EAST STREET N. FORT MYERS, FL 33917 239-337-4141 SALES@GOLDENMARINESYSTEMS.COM	
UNLESS OTHERWISE SPECIFIED: DIMENSIONS ARE IN INCHES TOLERANCES: FRACTIONAL..... ± 1/16 ANGULAR..... ± 1° (2) PLACE DECIMAL..... ± .02 (3) PLACE DECIMAL..... ± .005				DESCRIPTION 10K FREE STANDING LIFT TLA			
PROJECT 10K FREE STANDING LIFT				CUSTOMER GOLDEN MANUFACTURING			
MATERIAL SEE BOM		WEIGHT 1589.72 LBS		REV B	DATE 8/20/24		
PART NUMBER 10K FREE STANDING LIFT TLA				SHEET 11 OF 22			


**PROPRIETARY AND CONFIDENTIAL**

THE INFORMATION CONTAINED IN THIS DRAWING IS THE SOLE PROPERTY OF GOLDEN MANUFACTURING INC. DBA GOLDEN BOAT LIFTS. ANY REPRODUCTION IN PART OR AS A WHOLE WITHOUT THE WRITTEN PERMISSION OF GOLDEN MANUFACTURING INC. DBA GOLDEN BOAT LIFTS IS PROHIBITED.

SIZE **A3** SCALE **1:3**



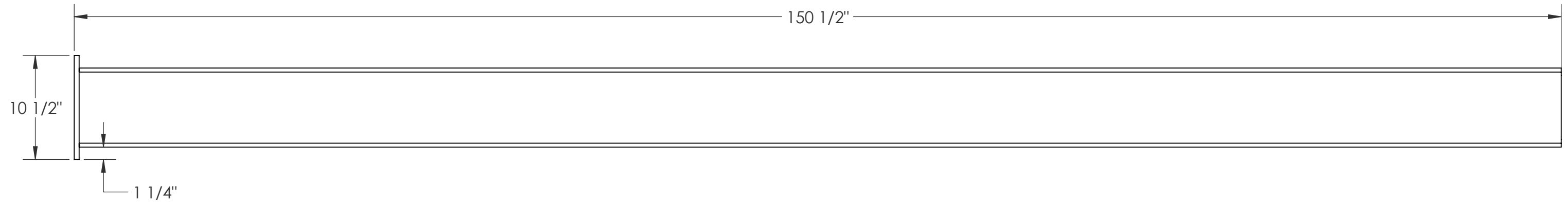
USE PART CUT FROM  
14K FS-CORNER\_003  
(SHEET 8)

DEBURR AND REMOVE ALL SHARP EDGES		THIRD ANGLE PROJECTION				17611 EAST STREET N. FORT MYERS, FL 33917 239-337-4141 SALES@GOLDENMARINESYSTEMS.COM	
UNLESS OTHERWISE SPECIFIED: DIMENSIONS ARE IN INCHES TOLERANCES: FRACTIONAL..... ± 1/16 ANGULAR..... ± 1° (2) PLACE DECIMAL..... ± .02 (3) PLACE DECIMAL..... ± .005				DESCRIPTION 10K FREE STANDING LIFT TLA			
PROJECT 10K FREE STANDING LIFT				CUSTOMER GOLDEN MANUFACTURING			
MATERIAL SEE BOM		WEIGHT 1589.72 LBS		REV B	DATE 8/20/24		
PART NUMBER 10K FREE STANDING LIFT TLA				SHEET 12 OF 22			

**PROPRIETARY AND CONFIDENTIAL**  
THE INFORMATION CONTAINED IN THIS DRAWING IS THE SOLE PROPERTY OF GOLDEN MANUFACTURING INC. DBA GOLDEN BOAT LIFTS. ANY REPRODUCTION IN PART OR AS A WHOLE WITHOUT THE WRITTEN PERMISSION OF GOLDEN MANUFACTURING INC. DBA GOLDEN BOAT LIFTS IS PROHIBITED.

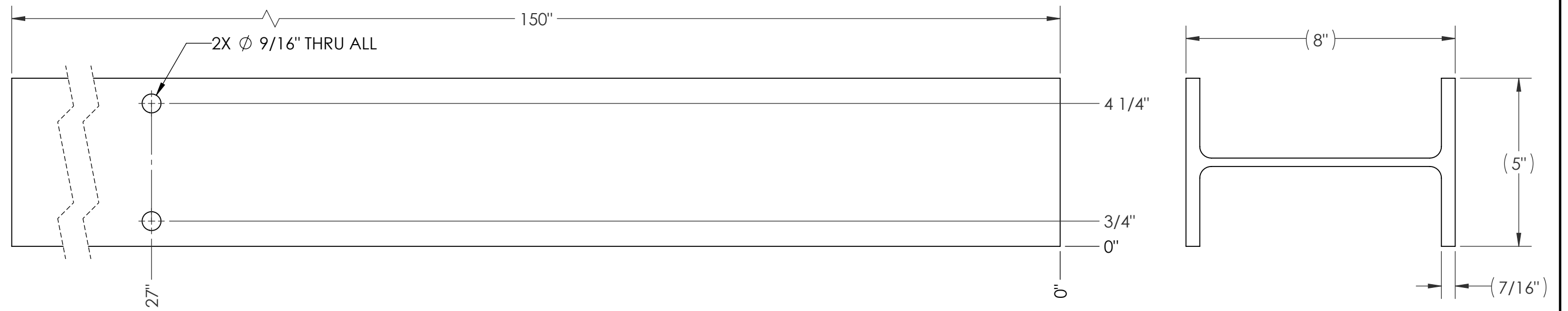
INTERPRET GEOMETRIC TOLERANCING PER: ANSI Y14.5  
SIZE A3 SCALE 1:2

ITEM NO.	QTY.	PART NUMBER	DESCRIPTION	CUT LENGTH	WEIGHT	MATERIAL	SHEET
1	1	10K FS-POST_001	I-BEAM, 8" X 5" X 7/16"	150" LG	87.70	6061-T6	14
2	1	10K FS-POST_002	PLATE, 1/2" X 7"	10 1/2" LG	3.58	6061-T6	15



DEBURR AND REMOVE ALL SHARP EDGES		THIRD ANGLE PROJECTION				17611 EAST STREET N. FORT MYERS, FL 33917 239-337-4141 SALES@GOLDENMARINESYSTEMS.COM	
UNLESS OTHERWISE SPECIFIED: DIMENSIONS ARE IN INCHES TOLERANCES: FRACTIONAL..... ± 1/16 ANGULAR..... ± 1° (2) PLACE DECIMAL..... ± .02 (3) PLACE DECIMAL..... ± .005				DESCRIPTION 10K FREE STANDING LIFT TLA			
PROJECT 10K FREE STANDING LIFT				CUSTOMER GOLDEN MANUFACTURING			
MATERIAL SEE BOM		WEIGHT 1589.72 LBS		REV B		DATE 8/20/24	
PART NUMBER 10K FREE STANDING LIFT TLA				SHEET 13 OF 22			

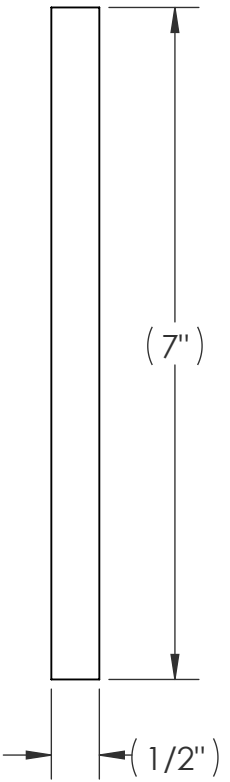
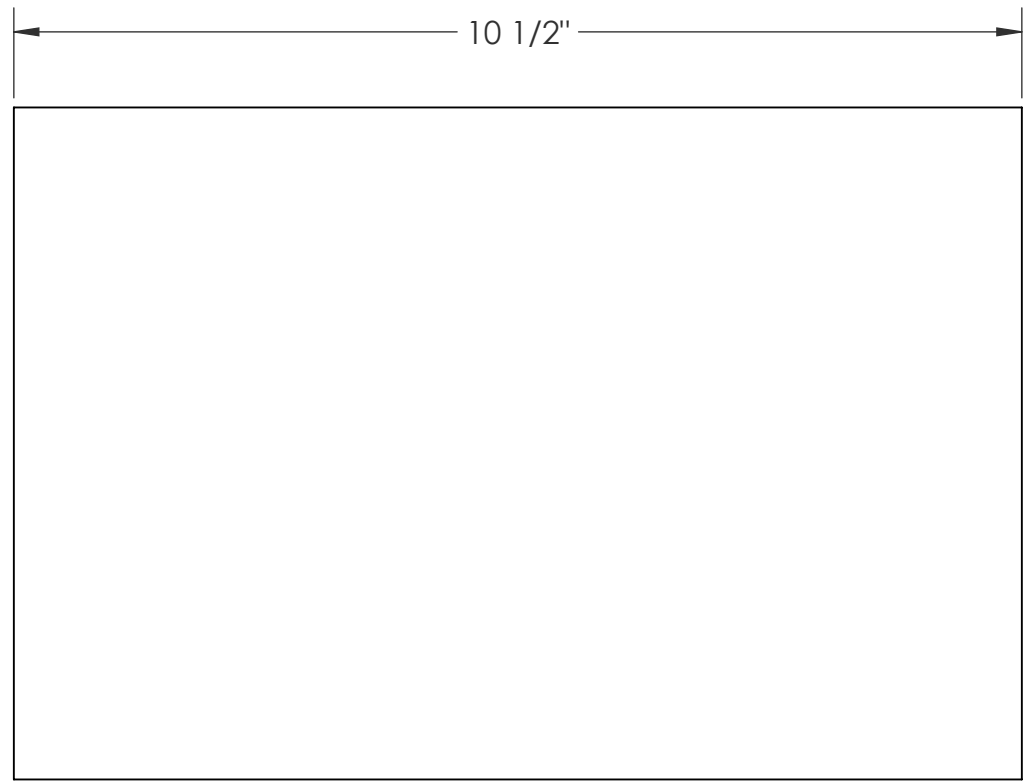
**PROPRIETARY AND CONFIDENTIAL**  
THE INFORMATION CONTAINED IN THIS DRAWING IS THE SOLE PROPERTY OF GOLDEN MANUFACTURING INC. DBA GOLDEN BOAT LIFTS. ANY REPRODUCTION IN PART OR AS A WHOLE WITHOUT THE WRITTEN PERMISSION OF GOLDEN MANUFACTURING INC. DBA GOLDEN BOAT LIFTS IS PROHIBITED.



DEBURR AND REMOVE ALL SHARP EDGES		THIRD ANGLE PROJECTION				17611 EAST STREET N. FORT MYERS, FL 33917 239-337-4141 SALES@GOLDENMARINESYSTEMS.COM	
UNLESS OTHERWISE SPECIFIED: DIMENSIONS ARE IN INCHES TOLERANCES: FRACTIONAL..... ± 1/16 ANGULAR..... ± 1° (2) PLACE DECIMAL..... ± .02 (3) PLACE DECIMAL..... ± .005				DESCRIPTION 10K FREE STANDING LIFT TLA			
PROJECT 10K FREE STANDING LIFT				PROJECT 10K FREE STANDING LIFT			
CUSTOMER GOLDEN MANUFACTURING				CUSTOMER GOLDEN MANUFACTURING			
MATERIAL SEE BOM		WEIGHT 1589.72 LBS		REV B	DATE 8/20/24		
PART NUMBER 10K FREE STANDING LIFT TLA				SHEET 14 OF 22			

**PROPRIETARY AND CONFIDENTIAL**

THE INFORMATION CONTAINED IN THIS DRAWING IS THE SOLE PROPERTY OF GOLDEN MANUFACTURING INC. DBA GOLDEN BOAT LIFTS. ANY REPRODUCTION IN PART OR AS A WHOLE WITHOUT THE WRITTEN PERMISSION OF GOLDEN MANUFACTURING INC. DBA GOLDEN BOAT LIFTS IS PROHIBITED.



**PROPRIETARY AND CONFIDENTIAL**

THE INFORMATION CONTAINED IN THIS DRAWING IS THE SOLE PROPERTY OF GOLDEN MANUFACTURING INC. DBA GOLDEN BOAT LIFTS. ANY REPRODUCTION IN PART OR AS A WHOLE WITHOUT THE WRITTEN PERMISSION OF GOLDEN MANUFACTURING INC. DBA GOLDEN BOAT LIFTS IS PROHIBITED.

DEBURR AND REMOVE ALL SHARP EDGES

THIRD ANGLE PROJECTION

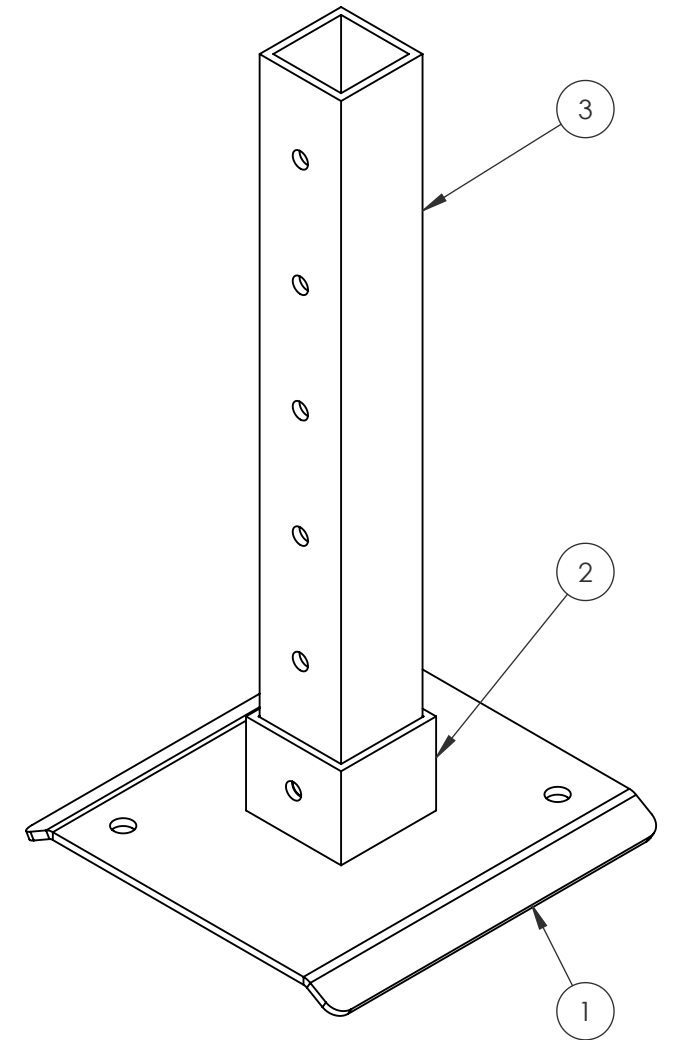
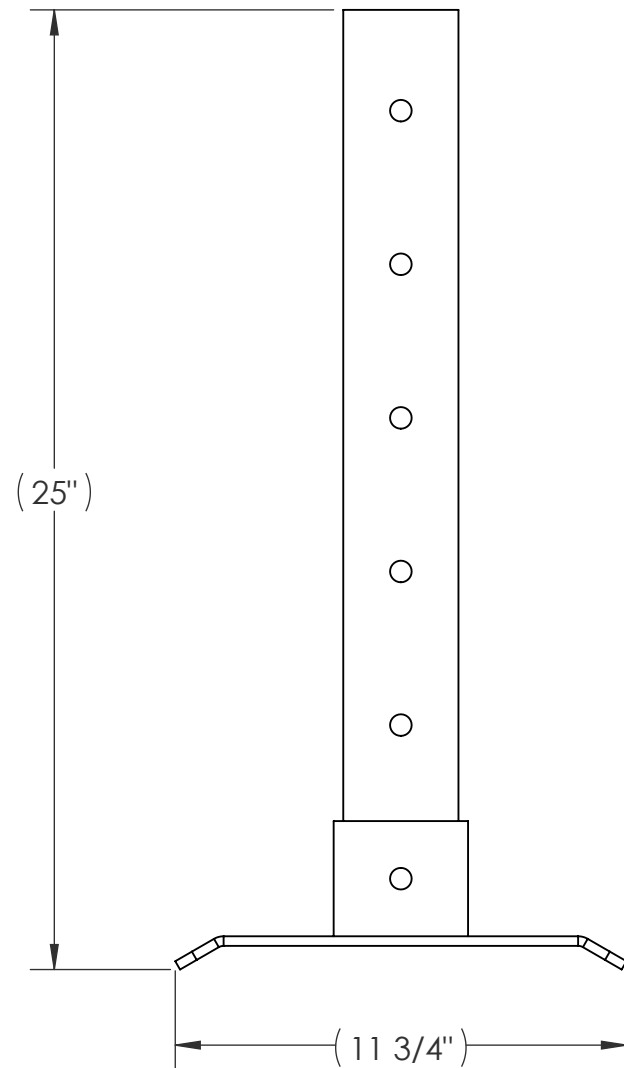
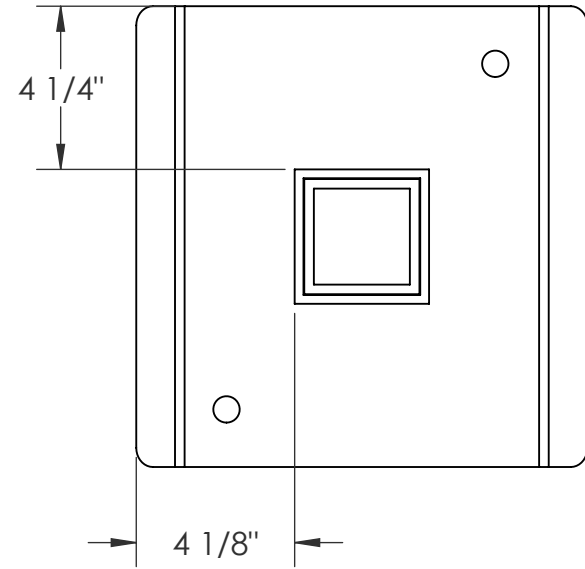
UNLESS OTHERWISE SPECIFIED:  
 DIMENSIONS ARE IN INCHES  
 TOLERANCES:  
 FRACTIONAL..... ± 1/16  
 ANGULAR..... ± 1°  
 (2) PLACE DECIMAL..... ± .02  
 (3) PLACE DECIMAL..... ± .005

INTERPRET GEOMETRIC TOLERANCING PER: ANSI Y14.5

SIZE **A3** SCALE **1:2**

		17611 EAST STREET N. FORT MYERS, FL 33917 239-337-4141 SALES@GOLDENMARINESYSTEMS.COM	
DESCRIPTION		10K FREE STANDING LIFT TLA	
PROJECT		10K FREE STANDING LIFT	
CUSTOMER		GOLDEN MANUFACTURING	
MATERIAL	WEIGHT	REV	DATE
SEE BOM	1589.72 LBS	B	8/20/24
PART NUMBER		SHEET	
10K FREE STANDING LIFT TLA		15 OF 22	

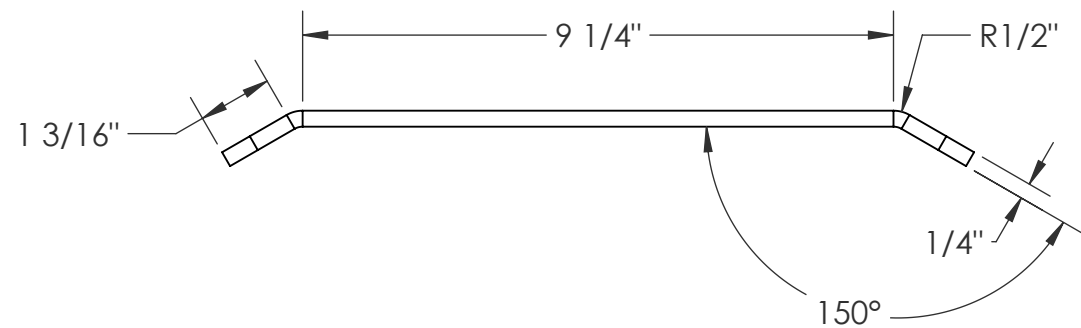
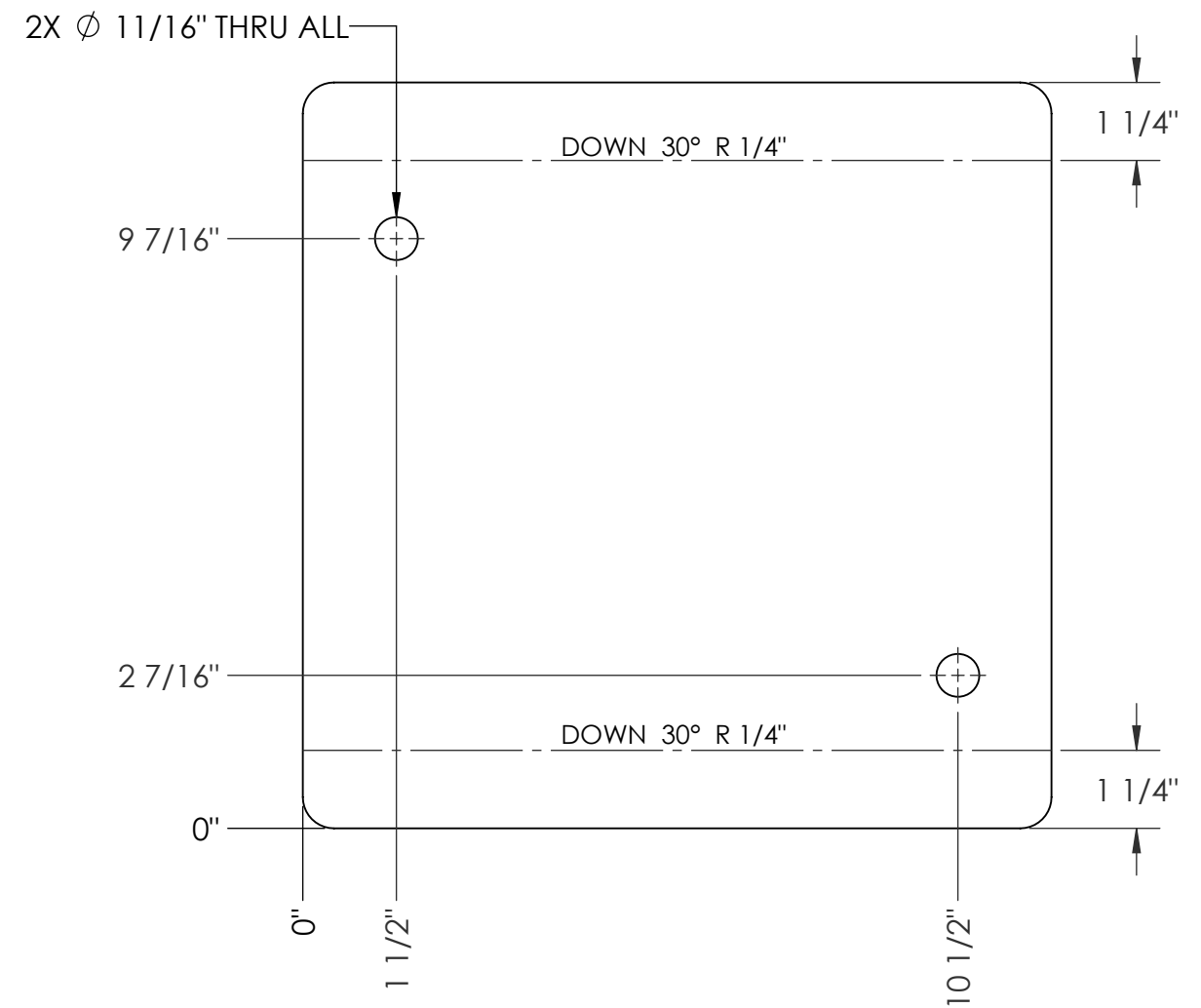
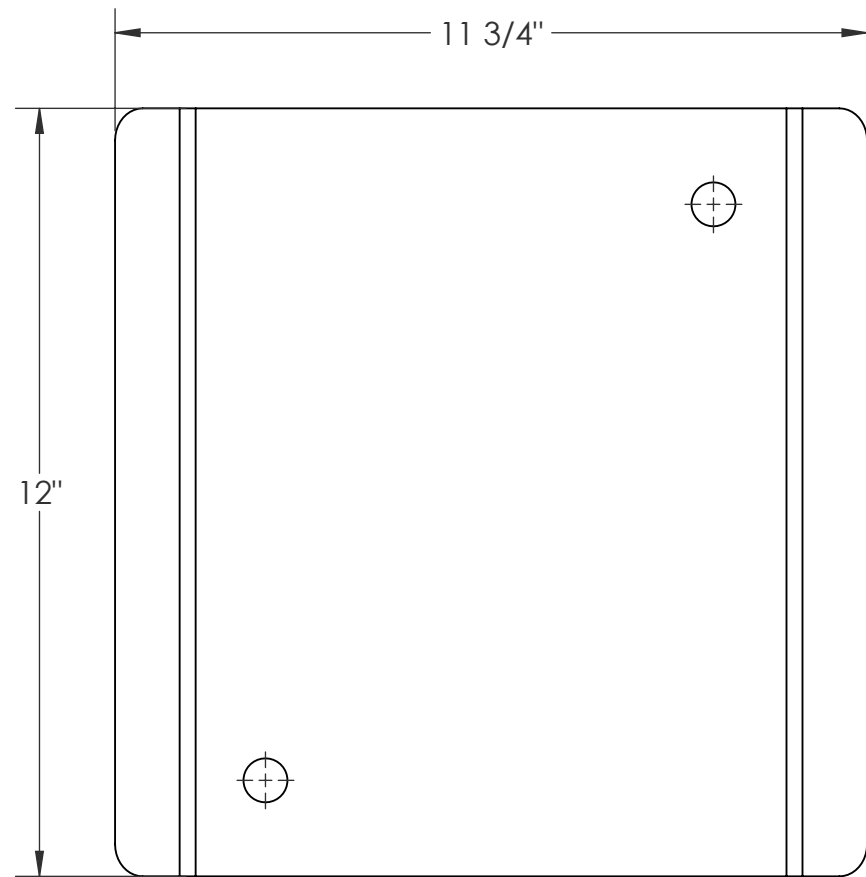
ITEM NO.	QTY.	PART NUMBER	DESCRIPTION	CUT LENGTH	STOCK SIZE	WEIGHT	MATERIAL	SHEET
1	1	10K FS-FP_001	PLATE, 1/4" X 12" X 12"	FORMED	FORMED	3.48	6061-T6	17
2	1	10K FS-FP_002	SQ TUBE, 3 1/2" X 0.23 WALL	3" LG	3 1/2" X 1/4" WALL X 3" LG	0.87	6005A-T61	18
3	1	10K FS-FP_003	SQ TUBE, 3" X 1/4" WALL	24" LG	24" LG	6.37	6061-T6	19



DEBURR AND REMOVE ALL SHARP EDGES		THIRD ANGLE PROJECTION				17611 EAST STREET N. FORT MYERS, FL 33917 239-337-4141 SALES@GOLDENMARINESYSTEMS.COM	
UNLESS OTHERWISE SPECIFIED:				DESCRIPTION 10K FREE STANDING LIFT TLA			
DIMENSIONS ARE IN INCHES				PROJECT 10K FREE STANDING LIFT			
TOLERANCES:				CUSTOMER GOLDEN MANUFACTURING			
FRACTIONAL..... ± 1/16				MATERIAL SEE BOM			
ANGULAR..... ± 1°				WEIGHT 1589.72 LBS			
(2) PLACE DECIMAL..... ± .02				REV B			
(3) PLACE DECIMAL..... ± .005				DATE 8/20/24			
INTERPRET GEOMETRIC TOLERANCING PER: ANSI Y14.5				PART NUMBER 10K FREE STANDING LIFT TLA			
SIZE A3		SCALE 1:5		SHEET 16 OF 22			

**PROPRIETARY AND CONFIDENTIAL**

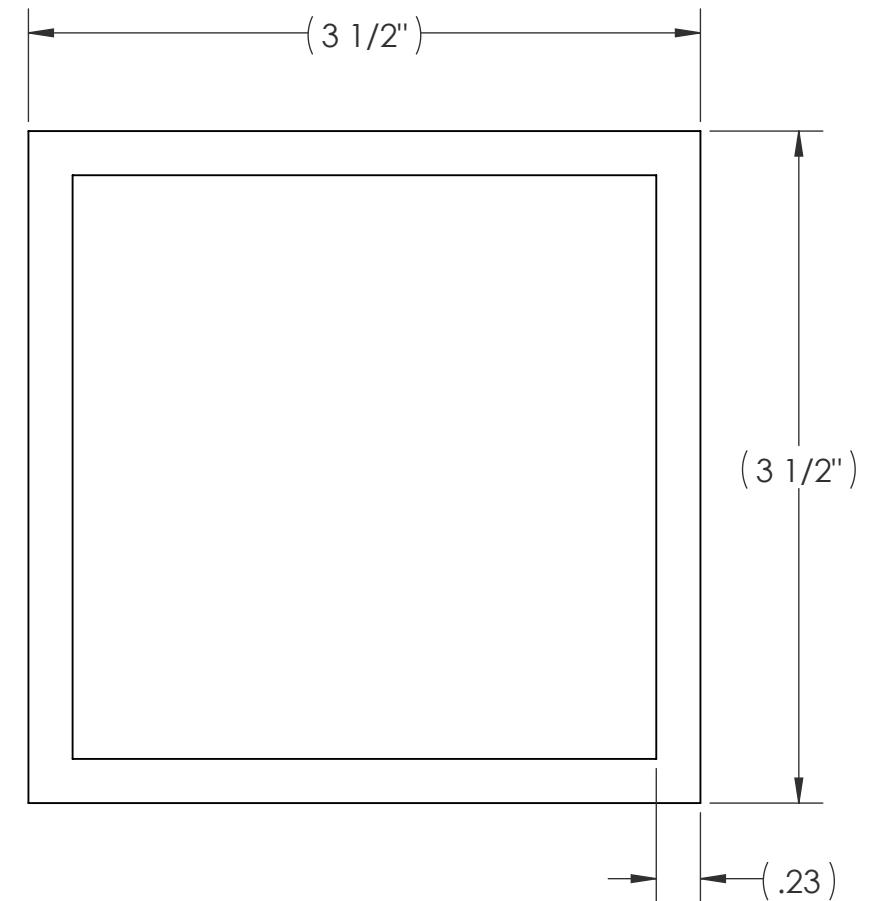
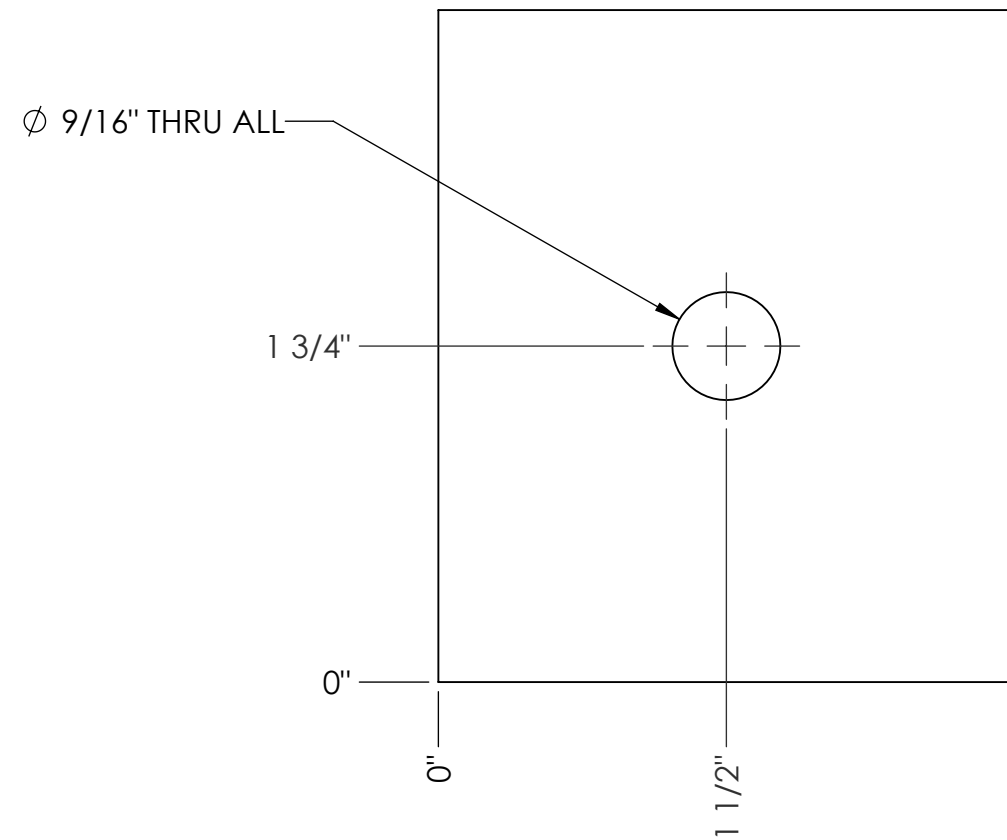
THE INFORMATION CONTAINED IN THIS DRAWING IS THE SOLE PROPERTY OF GOLDEN MANUFACTURING INC. DBA GOLDEN BOAT LIFTS. ANY REPRODUCTION IN PART OR AS A WHOLE WITHOUT THE WRITTEN PERMISSION OF GOLDEN MANUFACTURING INC. DBA GOLDEN BOAT LIFTS IS PROHIBITED.



DEBURR AND REMOVE ALL SHARP EDGES		THIRD ANGLE PROJECTION				17611 EAST STREET N. FORT MYERS, FL 33917 239-337-4141 SALES@GOLDENMARINESYSTEMS.COM	
UNLESS OTHERWISE SPECIFIED: DIMENSIONS ARE IN INCHES TOLERANCES: FRACTIONAL..... ± 1/16 ANGULAR..... ± 1° (2) PLACE DECIMAL..... ± .02 (3) PLACE DECIMAL..... ± .005				DESCRIPTION 10K FREE STANDING LIFT TLA			
PROJECT 10K FREE STANDING LIFT				PROJECT 10K FREE STANDING LIFT			
CUSTOMER GOLDEN MANUFACTURING				CUSTOMER GOLDEN MANUFACTURING			
MATERIAL SEE BOM		WEIGHT 1589.72 LBS		REV B	DATE 8/20/24		
PART NUMBER 10K FREE STANDING LIFT TLA				SHEET 17 OF 22			

**PROPRIETARY AND CONFIDENTIAL**

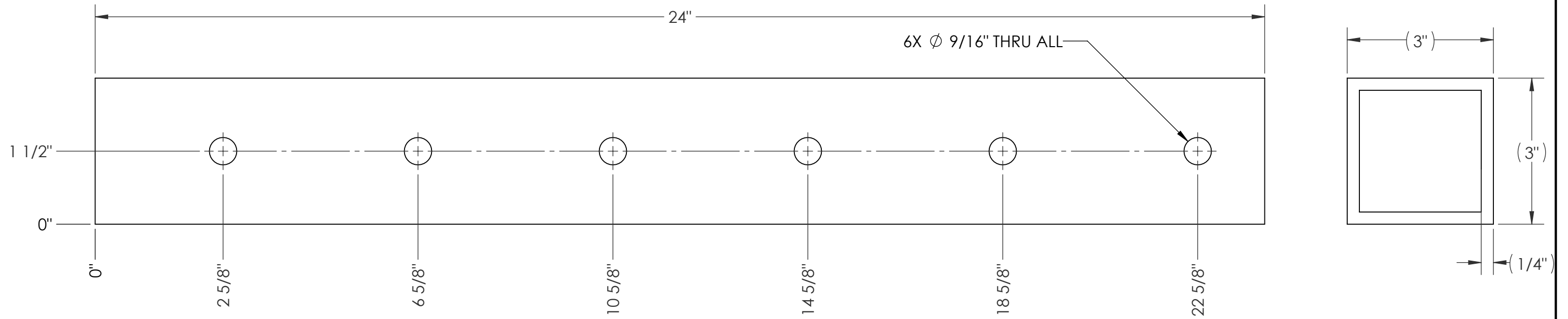
THE INFORMATION CONTAINED IN THIS DRAWING IS THE SOLE PROPERTY OF GOLDEN MANUFACTURING INC. DBA GOLDEN BOAT LIFTS. ANY REPRODUCTION IN PART OR AS A WHOLE WITHOUT THE WRITTEN PERMISSION OF GOLDEN MANUFACTURING INC. DBA GOLDEN BOAT LIFTS IS PROHIBITED.



**PROPRIETARY AND CONFIDENTIAL**

THE INFORMATION CONTAINED IN THIS DRAWING IS THE SOLE PROPERTY OF GOLDEN MANUFACTURING INC. DBA GOLDEN BOAT LIFTS. ANY REPRODUCTION IN PART OR AS A WHOLE WITHOUT THE WRITTEN PERMISSION OF GOLDEN MANUFACTURING INC. DBA GOLDEN BOAT LIFTS IS PROHIBITED.

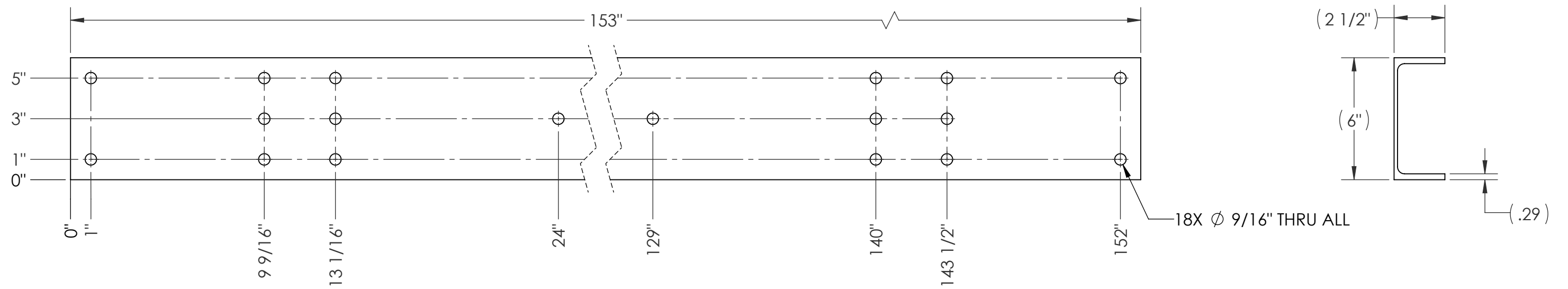
DEBURR AND REMOVE ALL SHARP EDGES		THIRD ANGLE PROJECTION				17611 EAST STREET N. FORT MYERS, FL 33917 239-337-4141 SALES@GOLDENMARINESYSTEMS.COM	
UNLESS OTHERWISE SPECIFIED: DIMENSIONS ARE IN INCHES TOLERANCES: FRACTIONAL..... ± 1/16 ANGULAR..... ± 1° (2) PLACE DECIMAL..... ± .02 (3) PLACE DECIMAL..... ± .005				DESCRIPTION 10K FREE STANDING LIFT TLA			
INTERPRET GEOMETRIC TOLERANCING PER: ANSI Y14.5				PROJECT 10K FREE STANDING LIFT			
SIZE A3				CUSTOMER GOLDEN MANUFACTURING			
SCALE 1:1		MATERIAL SEE BOM		WEIGHT 1589.72 LBS		REV B	
		PART NUMBER 10K FREE STANDING LIFT TLA		DATE 8/20/24		SHEET 18 OF 22	



DEBURR AND REMOVE ALL SHARP EDGES		THIRD ANGLE PROJECTION				17611 EAST STREET N. FORT MYERS, FL 33917 239-337-4141 SALES@GOLDENMARINESYSTEMS.COM	
UNLESS OTHERWISE SPECIFIED:				DESCRIPTION			
DIMENSIONS ARE IN INCHES				10K FREE STANDING LIFT			
TOLERANCES:				TLA			
FRACTIONAL..... ± 1/16				PROJECT			
ANGULAR..... ± 1°				10K FREE STANDING LIFT			
(2) PLACE DECIMAL..... ± .02				CUSTOMER			
(3) PLACE DECIMAL..... ± .005				GOLDEN MANUFACTURING			
INTERPRET GEOMETRIC TOLERANCING PER: ANSI Y14.5		MATERIAL	WEIGHT	REV	DATE		
SIZE A3		SCALE 1:2	SEE BOM	1589.72 LBS	B	8/20/24	
PART NUMBER				SHEET			
10K FREE STANDING LIFT TLA				19 OF 22			

**PROPRIETARY AND CONFIDENTIAL**

THE INFORMATION CONTAINED IN THIS DRAWING IS THE SOLE PROPERTY OF GOLDEN MANUFACTURING INC. DBA GOLDEN BOAT LIFTS. ANY REPRODUCTION IN PART OR AS A WHOLE WITHOUT THE WRITTEN PERMISSION OF GOLDEN MANUFACTURING INC. DBA GOLDEN BOAT LIFTS IS PROHIBITED.

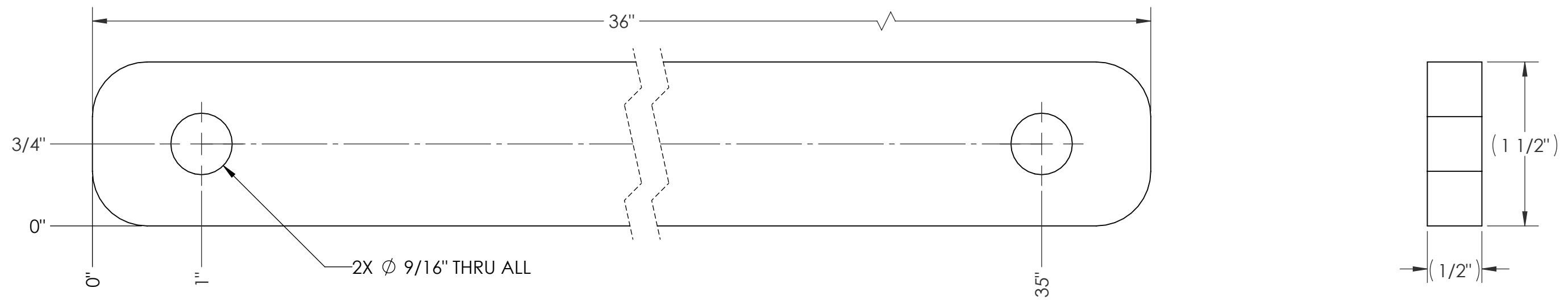


DEBURR AND REMOVE ALL SHARP EDGES		THIRD ANGLE PROJECTION				17611 EAST STREET N. FORT MYERS, FL 33917 239-337-4141 SALES@GOLDENMARINESYSTEMS.COM	
UNLESS OTHERWISE SPECIFIED: DIMENSIONS ARE IN INCHES TOLERANCES: FRACTIONAL..... ± 1/16 ANGULAR..... ± 1° (2) PLACE DECIMAL..... ± .02 (3) PLACE DECIMAL..... ± .005				DESCRIPTION 10K FREE STANDING LIFT TLA			
PROJECT 10K FREE STANDING LIFT				PROJECT 10K FREE STANDING LIFT			
CUSTOMER GOLDEN MANUFACTURING				CUSTOMER GOLDEN MANUFACTURING			
MATERIAL SEE BOM		WEIGHT 1589.72 LBS		REV B	DATE 8/20/24		
PART NUMBER 10K FREE STANDING LIFT TLA				SHEET 20 OF 22			

**PROPRIETARY AND CONFIDENTIAL**

THE INFORMATION CONTAINED IN THIS DRAWING IS THE SOLE PROPERTY OF GOLDEN MANUFACTURING INC. DBA GOLDEN BOAT LIFTS. ANY REPRODUCTION IN PART OR AS A WHOLE WITHOUT THE WRITTEN PERMISSION OF GOLDEN MANUFACTURING INC. DBA GOLDEN BOAT LIFTS IS PROHIBITED.

SIZE A3 SCALE 1:5

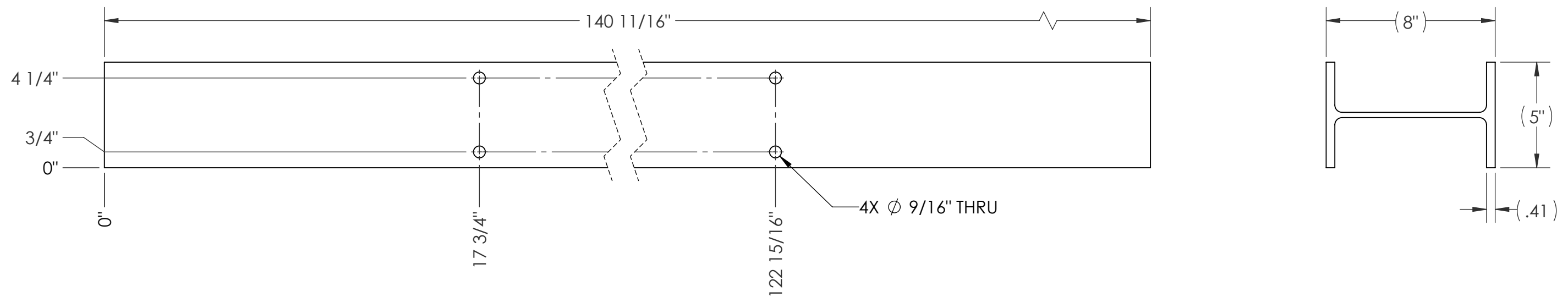


DEBURR AND REMOVE ALL SHARP EDGES		THIRD ANGLE PROJECTION				17611 EAST STREET N. FORT MYERS, FL 33917 239-337-4141 SALES@GOLDENMARINESYSTEMS.COM	
UNLESS OTHERWISE SPECIFIED: DIMENSIONS ARE IN INCHES TOLERANCES: FRACTIONAL..... ± 1/16 ANGULAR..... ± 1° (2) PLACE DECIMAL..... ± .02 (3) PLACE DECIMAL..... ± .005				DESCRIPTION 10K FREE STANDING LIFT TLA			
PROJECT 10K FREE STANDING LIFT				PROJECT 10K FREE STANDING LIFT			
CUSTOMER GOLDEN MANUFACTURING				CUSTOMER GOLDEN MANUFACTURING			
MATERIAL SEE BOM		WEIGHT 1589.72 LBS		REV B		DATE 8/20/24	
PART NUMBER 10K FREE STANDING LIFT TLA				SHEET 21 OF 22			

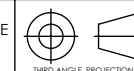
**PROPRIETARY AND CONFIDENTIAL**

THE INFORMATION CONTAINED IN THIS DRAWING IS THE SOLE PROPERTY OF GOLDEN MANUFACTURING INC. DBA GOLDEN BOAT LIFTS. ANY REPRODUCTION IN PART OR AS A WHOLE WITHOUT THE WRITTEN PERMISSION OF GOLDEN MANUFACTURING INC. DBA GOLDEN BOAT LIFTS IS PROHIBITED.

SIZE: A3 SCALE: 1:1



DEBURR AND REMOVE ALL SHARP EDGES



UNLESS OTHERWISE SPECIFIED:  
 DIMENSIONS ARE IN INCHES  
 TOLERANCES:  
 FRACTIONAL..... ± 1/16  
 ANGULAR..... ± 1°  
 (2) PLACE DECIMAL..... ± .02  
 (3) PLACE DECIMAL..... ± .005

INTERPRET GEOMETRIC TOLERANCING PER: ANSI Y14.5

SIZE A3 SCALE 1:5

**PROPRIETARY AND CONFIDENTIAL**  
 THE INFORMATION CONTAINED IN THIS DRAWING IS THE SOLE PROPERTY OF GOLDEN MANUFACTURING INC. DBA GOLDEN BOAT LIFTS. ANY REPRODUCTION IN PART OR AS A WHOLE WITHOUT THE WRITTEN PERMISSION OF GOLDEN MANUFACTURING INC. DBA GOLDEN BOAT LIFTS IS PROHIBITED.

**GOLDEN Boat Lifts**  
 17611 EAST STREET  
 N. FORT MYERS, FL 33917  
 239-337-4141  
 SALES@GOLDENMARINESYSTEMS.COM

DESCRIPTION 10K FREE STANDING LIFT TLA

PROJECT 10K FREE STANDING LIFT

CUSTOMER GOLDEN MANUFACTURING

MATERIAL SEE BOM WEIGHT 1589.72 LBS REV B DATE 8/20/24

PART NUMBER 10K FREE STANDING LIFT TLA SHEET 22 OF 22