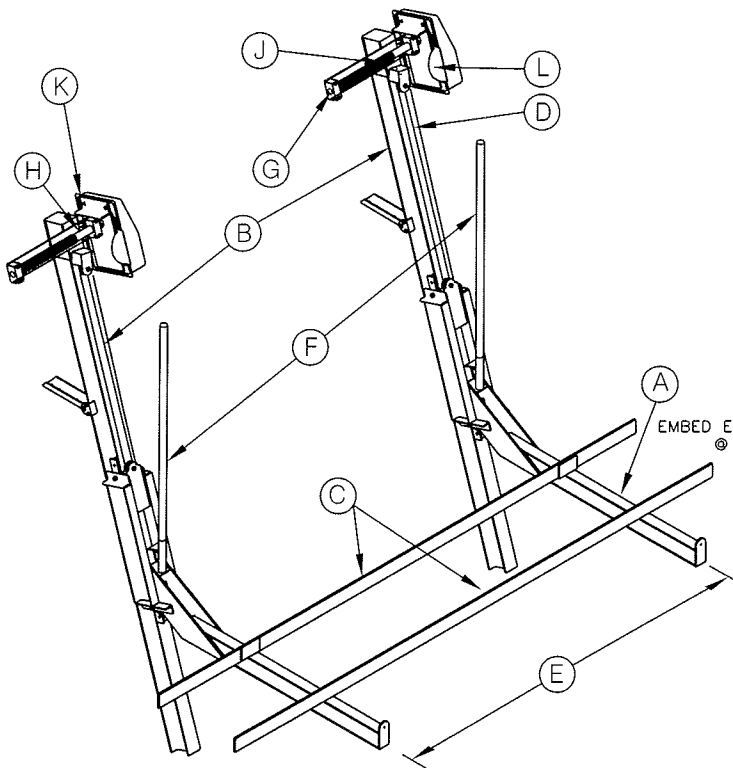


GOLDEN ENGINEERED ELEVATOR LIFT SPECIFICATIONS



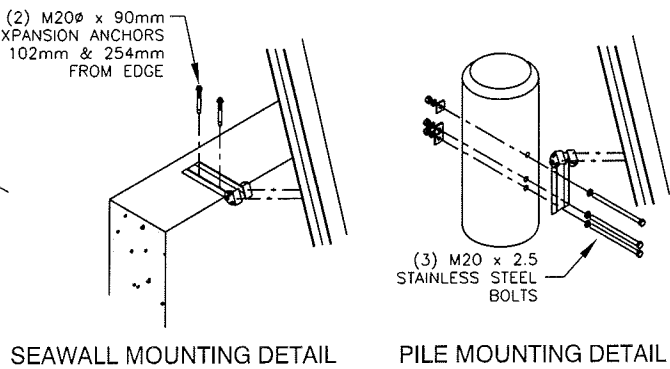
STRUCTURAL ENGINEERING REVIEW

THIS CONSTRUCTION HAS BEEN DESIGNED AS A MAIN WIND FORCE RESISTING SYSTEM, WITH CALCULATED GRAVITY AND WIND LOADS IN COMPLIANCE WITH THE FLORIDA BUILDING CODE 2007, WITH 2009 SUPPLEMENTS, SECTION 1609, ADM 2005, AND ASCE 7-05 'MINIMUM DESIGN LOADS FOR BUILDINGS AND OTHER STRUCTURES' TO WITHSTAND THE WIND LOADS ASSOCIATED WITH A BASIC WIND SPEED OF 150 MPH (67 m/s), EXPOSURE 'C'. ARNOLD/SANDERS CONSULTING ENGINEERS HAS NO CONTROL OF THE MANUFACTURING, PERFORMANCE, OR INSTALLATION OF THIS PRODUCT. THESE GENERIC PLANS WERE ENGINEERED IN ACCORDANCE WITH ACCEPTED ENGINEERING PRACTICES AND DATA PROVIDED BY THE MANUFACTURER.

Arnold/Sanders Consulting Engineers, Inc.
 Certificate of Authorization 9451
 16681 McGregor Blvd., Suite 102 Ft. Myers, FL 33909
 239-267-3666 Fax: 239-267-2771

J.L. SANDERS
 Reg. Florida No. 60351
 Date: _____

SIGNATURE NOT VALID WITHOUT RAISED SEAL



INCLINE MOUNT OR VERTICAL MOUNT

NOTE: THIS STRUCTURE HAS BEEN DESIGNED FOR LOADS ASSOCIATED WITH WIND SPEEDS OF 67 METERS/SEC CALCULATED PER FLORIDA BUILDING CODE 2007 WITH 2009 SUPPLEMENTS, ASCE 7-05 AND ADM-2005. BOATS SHALL NOT BE STORED ON LIFTS DURING HIGH WIND EVENTS.

	(A)	(B)	(C)	(D)	(E)	(F)	(G)	(H)	(J)	(K)	(L)		
LIFT CAPACITY	CRADLE I-BEAM	TRACK I-BEAM	BUNK BOARDS FEET	CABLE SIZE	TRACK SPREAD	GUIDE POST HEIGHT	BRGS	DRIVE SHAFT	WINDER DIA	GEAR RATIO	MOTOR HP/VOLTAGE	CM OF LIFT PER MIN.	
1,364 kg	(2)15.24cm H x 4.82mm WEB 10.16cm W x 7.36mm FLANGE x 2.133m LONG @ 6.00kg/m	(2)20.32cm H x 5.84mm WEB 12.70cm W x 8.89mm FLANGE x 7.62m LONG @ 9.20kg/m	(2) 5.08cm x 20.32cm x 3.66m ROUGH SAWN CARPETED	(2) 7.94mmØ x 6.10m S.S. 2 PART	2.13m THRU 3.05m	203.2cm	(4) 5.08cm EXTRUDED 6061-T6 ALUM	(2) 12.7mm Ø SCHEDULE 80 ALUM. PIPE	(2) 6.35cmØ SCHEDULE 80 ALUM. PIPE	96:1	(2) 1 HP 120V/20A 240V/10A	34.29cm	
2,773 kg & 3,182 kg	(2)20.32cm H x 5.84mm WEB 12.70cm W x 8.89mm FLANGE x 2.438m LONG @ 9.20kg/m	(2)20.32cm H x 6.35mm WEB 12.70cm W x 10.41mm FLANGE x 7.62m LONG @ 10.45kg/m		(2) 7.94mmØ x 9.14m S.S. 2 PART	(2) 1 HP & 3,182kg (2) 1.5 HP								
4,545 kg	(2)22.86cm H x 6.86mm WEB 13.97cm W x 11.18mm FLANGE x 2.438m LONG @ 12.44kg/m	(2)22.86cm H x 6.86mm WEB 13.97cm W x 11.18mm FLANGE x 7.62m LONG @ 12.44kg/m		(3) 9.52mmØ x 11.58m S.S. 3 PART	2.44m THRU 3.35m						(2) 1 HP 120V/20A 240V/10A		22.86cm
5,455 kg	(2)25.40cm H x 6.35mm WEB 15.24cm W x 10.41mm FLANGE x 2.438m LONG @ 12.87kg/m	(2)25.40cm H x 6.35mm WEB 15.24cm W x 10.41mm FLANGE x 7.62m LONG @ 12.87kg/m		(2) 7.62cm x 25.4cm x 4.88m ROUGH SAWN CARPETED	(2) 9.52mmØ x 15.24m S.S. 4 PART						2.44m THRU 4.27m		304.8cm
6,818 kg	(2)25.40cm H x 7.36mm WEB 15.24cm W x 12.70mm FLANGE x 2.743m LONG @ 15.33kg/m	(2)25.40cm H x 7.36mm WEB 15.24cm W x 12.70mm FLANGE x 7.62m LONG @ 15.33kg/m	(2) 20.32cm H x 5.84mm WEB 12.70cm W x 8.89mm FLANGE x 7.62m LONG CAPPED WITH WOOD AND CARPET	(4) 9.52mmØ x 15.24m S.S. 3 PART	3.05m THRU 4.88m	(8) 5.08cm EXTRUDED 6061-T6 ALUM	(4) 6.35cmØ SCHEDULE 80 ALUM. PIPE	480:1	(2) 2 HP 120V/20A 240V/10A	22.86cm			
7,727 kg	(2)30.48cm H x 7.36mm WEB 17.78cm W x 11.93mm FLANGE x 3.048m LONG @ 17.41kg/m	(2)30.48cm H x 7.36mm WEB 17.78cm W x 11.93mm FLANGE x 7.62m LONG @ 17.41kg/m		(4) 9.52mmØ x 15.24m S.S. 4 PART	(2) 2.5 HP 120V/20A 240V/10A				17.14cm				
9,090 kg	(2)30.48cm H x 7.87mm WEB 17.78cm W x 15.74mm FLANGE x 3.048m LONG @ 21.28kg/m	(2)30.48cm H x 7.87mm WEB 17.78cm W x 15.74mm FLANGE x 7.62m LONG @ 21.28kg/m											
10,909 kg	(4)25.40cm H x 7.36mm WEB 15.24cm W x 12.70mm FLANGE x 2.743m LONG @ 15.33kg/m	(4)25.40cm H x 7.36mm WEB 15.24cm W x 12.70mm FLANGE x 7.62m LONG @ 15.33kg/m											
13,636 kg	(4)30.48cm H x 7.87mm WEB 17.78cm W x 15.74mm FLANGE x 3.048m LONG @ 21.28kg/m	(4)30.48cm H x 7.87mm WEB 17.78cm W x 15.74mm FLANGE x 7.62m LONG @ 21.28kg/m											